

Adaptors

DRAFT



Adaptors

Adaptors Catalogue

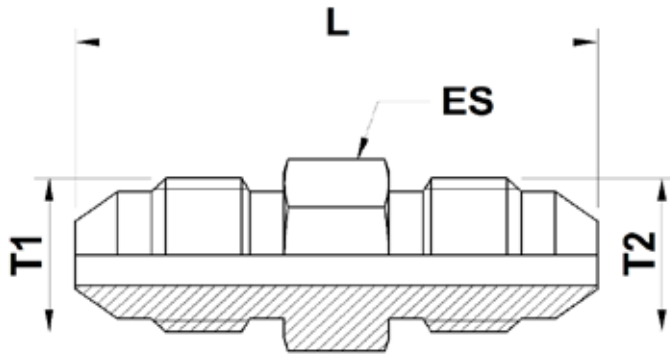
© **Intertraco (Italia) S.p.A**

The data reported in this catalogue are not binding. Intertraco (Italia) S.p.A. reserves the right to change specifications without notice.



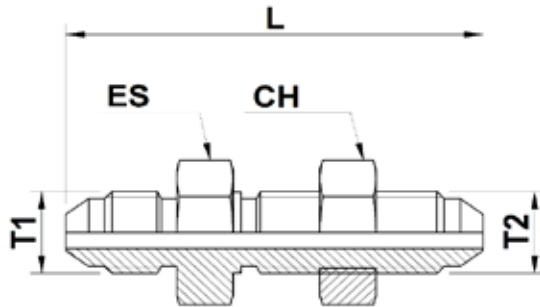
JIC

SERIES





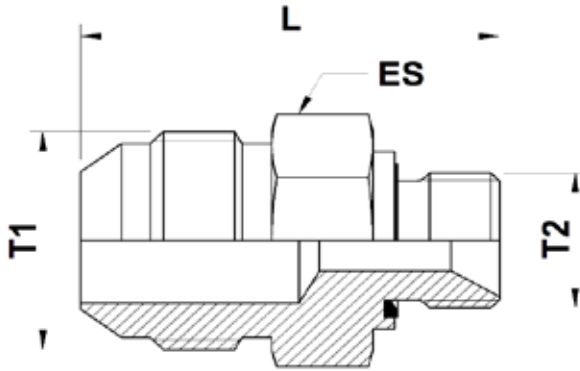
Union JIC Male 37° ends

CODE	TUBE O.D.		THREAD		DIMENSION (mm)	ES		
	[inch]	[mm]	T1	T2	L	[mm]	[in]	 [in]
AJJ-04-04	1/4"	6	7/16" - 20	7/16" - 20	34,8	12	0,47	1/2"
AJJ-04-06	1/4"	6	7/16" - 20	9/16" - 18	35,7	17	0,67	11/16"
AJJ-06-06	3/8"	10	9/16" - 18	9/16" - 18	35,8	17	0,67	11/16"
AJJ-06-08	3/8"	10	9/16" - 18	3/4" - 16	38,6	22	0,87	7/8"
AJJ-06-10	3/8"	10	9/16" - 18	7/8" - 14	42,7	24	0,94	15/16"
AJJ-08-08	1/2"	12	3/4" - 16	3/4" - 16	41,2	22	0,87	7/8"
AJJ-08-10	1/2"	12	3/4" - 16	7/8" - 14	45,2	24	0,94	15/16"
AJJ-10-10	5/8"	14, 15, 16	7/8" - 14	7/8" - 14	47,8	24	0,94	15/16"
AJJ-10-12	5/8"	14, 15, 16	7/8" - 14	1.1/16" - 12	52,0	27	1,06	1.1/16"
AJJ-10-16	5/8"	14, 15, 16	7/8" - 14	1.5/16" - 12	53,4	36	1,42	1.7/16"
AJJ-12-12	3/4"	18, 20	1.1/16" - 12	1.1/16" - 12	54,9	27	1,06	1.1/16"
AJJ-12-16	3/4"	18, 20	1.1/16" - 12	1.5/16" - 12	56,0	36	1,42	1.7/16"
AJJ-12-20	3/4"	18, 20	1.1/16" - 12	1.5/8" - 12	59,4	46	1,81	1.13/16"
AJJ-16-16	1"	25	1.5/16" - 12	1.5/16" - 12	57,2	36	1,42	1.7/16"
AJJ-20-16	1.1/4"	28, 30, 32	1.5/8" - 12	1.5/16" - 12	60,5	46	1,81	1.13/16"
AJJ-20-20	1.1/4"	28, 30, 32	1.5/8" - 12	1.5/8" - 12	61,7	46	1,81	1.13/16"
AJJ-20-24	1.1/4"	28, 30, 32	1.5/8" - 12	1.7/8" - 12	65,7	50	1,97	2"
AJJ-24-24	1.1/2"	35, 38	1.7/8" - 12	1.7/8" - 12	69,9	50	1,97	2"




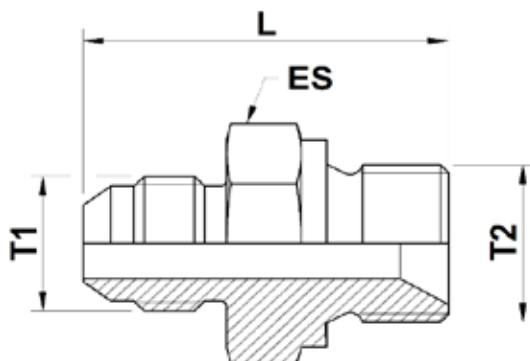
Bulkhead union JIC 37° ends (complete with locknut)

CODE	TUBE O.D.		THREAD		DIMENSION (mm)	ES			CH		
	[inch]	[mm]	T1	T2		[mm]	[in]	 [in]	[mm]	[in]	 [in]
AJJP-04-04	1/4"	6	7/16" - 20	7/16" - 20	52,6	17	0,67	11/16"	17	0,67	11/16"
AJJP-06-06	3/8"	10	9/16" - 18	9/16" - 18	55,4	22	0,87	7/8"	22	0,87	7/8"
AJJP-08-08	1/2"	12	3/4" - 16	3/4" - 16	62,0	24	0,94	15/16"	24	0,94	15/16"
AJJP-10-10	5/8"	14, 15, 16	7/8" - 14	7/8" - 14	69,6	30	1,18	1.3/16"	30	1,18	1.3/16"
AJJP-12-12	3/4"	18, 20	1.1/16" - 12	1.1/16" - 12	78,5	36	1,42	1.7/16"	36	1,42	1.7/16"
AJJP-16-16	1"	25	1.5/16" - 12	1.5/16" - 12	79,8	41	1,61	1.5/8"	41	1,61	1.5/8"
AJJP-20-20	1.1/4"	28, 30, 32	1.5/8" - 12	1.5/8" - 12	84,1	50	1,97	2"	50	1,97	2"




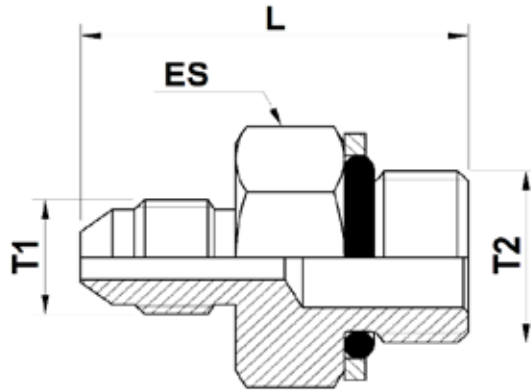
Male stud connector - JIC 37° end / Male BSPP thread – ED seal (ISO 1179-2)

CODE	TUBE O.D.		THREAD		DIMENSION (mm)	ES		
	[inch]	[mm]	T1	T2	L	[mm]	[in]	
AJB-04-02	1/4"	6	7/16"-20	1/8"-28	29,0	14	0,55	9/16"
AJB-04-04	1/4"	6	7/16"-20	1/4"-19	34,0	19	0,75	3/4"
AJB-04-06	1/4"	6	7/16"-20	3/8" - 19	34,0	22	0,87	7/8"
AJB-04-08	1/4"	6	7/16"-20	1/2" - 14	39,5	27	1,06	1.1/16"
AJB-05-04	5/16"	8	1/2"-20	1/4"-19	34,0	19	0,75	3/4"
AJB-06-02	3/8"	10	9/16"-18	1/8" - 28	30,0	17	0,67	11/16"
AJB-06-04	3/8"	10	9/16"-18	1/4"-19	34,0	19	0,75	3/4"
AJB-06-08	3/8"	10	9/16"-18	1/2"-14	38,0	27	1,06	1.1/16"
AJB-06-12	3/8"	10	9/16"-18	3/4"-14	45,0	32	1,26	1.1/4"
AJB-08-04	1/2"	12	3/4"-16	1/4"-19	38,5	19	0,75	3/4"
AJB-08-06	1/2"	12	3/4"-16	3/8"-19	37,5	22	0,87	7/8"
AJB-08-08	1/2"	12	3/4"-16	1/2"-14	39,5	27	1,06	1.1/16"
AJB-08-10	1/2"	12	3/4"-16	5/8"-14	43,0	30	1,18	1.3/16"
AJB-08-12	1/2"	12	3/4"-16	3/4"-14	46,7	32	1,26	1.1/4"
AJB-08-16	1/2"	12	3/4"-16	1"-11	48,0	41	1,61	1.5/8"
AJB-10-06	5/8"	14, 15, 16	7/8"-14	3/8"-19	41,3	24	0,94	15/16"
AJB-10-08	5/8"	14, 15, 16	7/8"-14	1/2"-14	45,0	27	1,06	1.1/16"
AJB-10-10	5/8"	14, 15, 16	7/8"-14	5/8"-14	45,3	30	1,18	1.3/16"
AJB-10-12	5/8"	14, 15, 16	7/8"-14	3/4"-14	49,0	32	1,26	1.1/4"
AJB-10-16	5/8"	14, 15, 16	7/8"-14	1" - 11	51,0	41	1,61	1.5/8"
AJB-12-06	3/4"	18, 20	1.1/16"-12	3/8"-19	48,0	27	1,06	1.1/16"
AJB-12-08	3/4"	18, 20	1.1/16"-12	1/2"-14	48,0	27	1,06	1.1/16"
AJB-12-10	3/4"	18, 20	1.1/16"-12	5/8"-14	50,0	30	1,18	1.3/16"




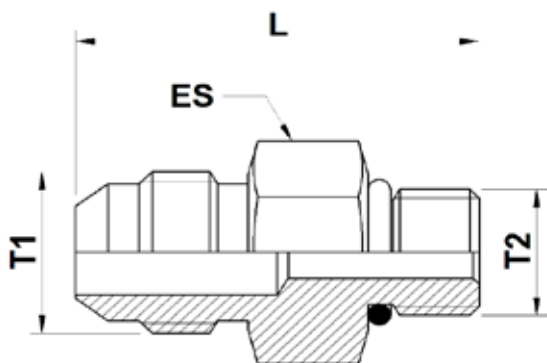
Male stud connector - JIC 37° end / Male BSPP thread

CODE	TUBE O.D.		THREAD		DIMENSION (mm)	ES		
	[inch]	[mm]	T1	T2	L	[mm]	[in]	
AJBX-04-04	1/4"	6	7/16"-20	1/4"-19	34,0	19	0,75	3/4"
AJBX-04-06	1/4"	6	7/16"-20	3/8" - 19	34,0	22	0,87	7/8"
AJBX-06-04	3/8"	10	9/16"-18	1/4"-19	34,0	19	0,75	3/4"
AJBX-06-06	3/8"	10	9/16"-18	3/8"-19	36,0	22	0,87	7/8"
AJBX-06-08	3/8"	10	9/16"-18	1/2"-14	39,0	27	1,06	1.1/16"
AJBX-08-06	1/2"	12	3/4"-16	3/8"-19	37,5	22	0,87	7/8"
AJBX-08-08	1/2"	12	3/4"-16	1/2"-14	39,5	27	1,06	1.1/16"
AJBX-10-08	5/8"	14, 15, 16	7/8"-14	1/2"-14	44,5	27	1,06	1.1/16"
AJBX-10-12	5/8"	14, 15, 16	7/8"-14	3/4"-14	48,0	32	1,26	1.1/4"
AJBX-10-16	5/8"	14, 15, 16	7/8"-14	1" - 11	50,0	41	1,61	1.5/8"
AJBX-12-08	3/4"	18, 20	1.1/16"-12	1/2"-14	47,0	27	1,06	1.1/16"
AJBX-12-12	3/4"	18, 20	1.1/16"-12	3/4"-14	51,0	32	1,26	1.1/4"
AJBX-12-16	3/4"	18, 20	1.1/16" - 12	1" - 11	52,5	41	1,61	1.5/8"
AJBX-16-12	1"	25	1.5/16" - 12	3/4" - 14	57,0	36	1,42	1.7/16"
AJBX-16-16	1"	25	1.5/16" - 12	1" - 11	55,0	41	1,61	1.5/8"
AJBX-16-20	1"	25	1.5/16" - 12	1.1/4" - 11	60,5	50	1,97	2"
AJBX-20-12	1.1/4"	28, 30, 32	1.5/8" - 12	3/4"-14	57,5	46	1,81	1.13/16"
AJBX-20-16	1.1/4"	28, 30, 32	1.5/8" - 12	1" - 11	58,5	46	1,81	1.13/16"
AJBX-20-20	1.1/4"	28, 30, 32	1.5/8" - 12	1.1/4" - 11	61,5	50	1,97	2"
AJBX-20-24	1.1/4"	28, 30, 32	1.5/8" - 12	1.1/2" - 11	63,5	55	2,16	2.3/16"
AJBX-24-20	1.1/2"	35, 38	1.7/8" - 12	1.1/4" - 11	65,5	50	1,97	2"
AJBX-24-24	1.1/2"	35, 38	1.7/8" - 12	1.1/2" - 11	66,0	55	2,16	2.3/16"



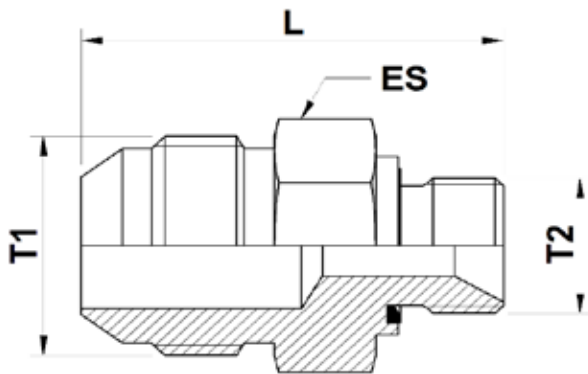
Male stud connector - JIC 37° end / Male BSPP thread – O-ring + retaining ring (ISO 1179-3)

CODE	TUBE O.D.		THREAD		DIMENSION (mm)	ES		
	[inch]	[mm]	T1	T2	L	[mm]	[in]	
AJBR-04-04	1/4"	6	7/16" - 20	1/4" - 19	35,0	19	0,75	3/4"
AJBR-04-06	1/4"	6	7/16" - 20	3/8" - 19	35,0	22	0,98	7/8"
AJBR-06-04	3/8"	10	9/16" - 18	1/4" - 19	32	19	0,75	3/4"
AJBR-06-06	3/8"	10	9/16" - 18	3/8" - 19	34,5	22	0,98	7/8"
AJBR-06-08	3/8"	10	9/16" - 18	1/2" - 14	39	30	1,18	1.3/16"
AJBR-06-12	3/8"	10	9/16" - 18	3/4" - 14	39,5	36	1,42	1.7/16"
AJBR-08-04	1/2"	12	3/4" - 16	1/4" - 19	35	19	0,75	3/4"
AJBR-08-08	1/2"	12	3/4" - 16	1/2" - 14	41,5	27	1,06	1.1/16"
AJBR-08-12	1/2"	12	3/4" - 16	3/4" - 14	42	36	1,42	1.7/16"
AJBR-12-08	3/4"	18, 20	1.1/16" - 12	1/2" - 14	46,0	30	1,18	1.3/16"
AJBR-12-12	3/4"	18, 20	1.1/16" - 12	3/4" - 14	47,5	36	1,42	1.7/16"
AJBR-12-16	3/4"	18, 20	1.1/16" - 12	1" - 11	54,7	46	1,81	1.13/16"
AJBR-12-20	3/4"	18, 20	1.1/16" - 12	1.1/4" - 11	56,0	50	1,97	2"
AJBR-16-12	1"	25	1.5/16" - 12	3/4" - 14	48,5	36	1,42	1.7/16"
AJBR-16-16	1"	25	1.5/16" - 12	1" - 11	54	46	1,81	1.13/16"
AJBR-20-12	1.1/4"	28, 30, 32	1.5/8" - 12	3/4" - 14	51	46	1,81	1.13/16"
AJBR-20-16	1.1/4"	28, 30, 32	1.5/8" - 12	1" - 11	55	46	1,81	1.13/16"
AJBR-20-20	1.1/4"	28, 30, 32	1.5/8" - 12	1.1/4" - 11	57	50	1,97	2"
AJBR-24-20	1.1/2"	35, 38	1.7/8" - 12	1.1/4" - 11	61	55	2,16	2.3/16"
AJBR-24-24	1.1/2"	35, 38	1.7/8" - 12	1.1/2" - 11	61,5	55	2,16	2.3/16"
AJBR-32-24	2"	51	2.1/2" - 12	1.1/2" - 11	69,1	65	2,56	2.9/16"




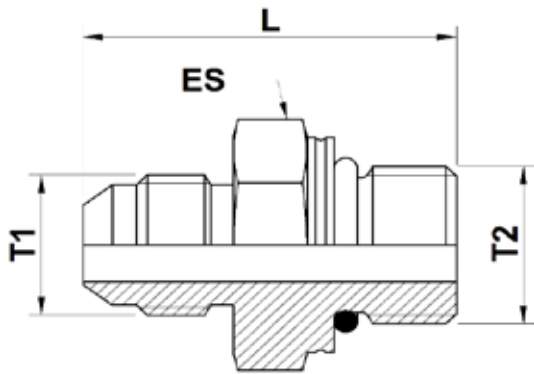
Male stud connector - JIC 37° end / Male UN/UNF thread – O-ring (ISO 11926)

CODE	TUBE O.D.		THREAD		DIMENSION (mm)	ES		
	[inch]	[mm]	T1	T2		[mm]	[in]	[in]
AJE-04-04	1/4"	6	7/16" - 20	7/16" - 20	31,2	14	0,55	9/16"
AJE-04-05	1/4"	6	7/16" - 20	1/2" - 20	31,2	16	0,63	9/16"
AJE-04-06	1/4"	6	7/16" - 20	9/16"	32,8	17	0,67	11/16"
AJE-04-08	1/4"	6	7/16" - 20	3/4" - 16	34,8	22	0,87	7/8"
AJE-06-04	3/8"	10	9/16" - 18	7/16" - 20	32,3	17	0,67	11/16"
AJE-06-06	3/8"	10	9/16" - 18	9/16" - 18	33,0	17	0,67	11/16"
AJE-06-08	3/8"	10	9/16" - 18	3/4" - 16	35,1	22	0,87	7/8"
AJE-08-04	1/2"	12	3/4" - 16	7/16" - 20	38,0	22	0,87	7/8"
AJE-08-06	1/2"	12	3/4" - 16	9/16" - 18	36,6	22	0,87	7/8"
AJE-08-08	1/2"	12	3/4" - 16	3/4" - 16	37,6	22	0,87	7/8"
AJE-08-10	1/2"	12	3/4" - 16	7/8" - 14	40,6	27	1,06	1.1/16"
AJE-08-12	1/2"	12	3/4" - 16	1.1/16" - 12	44,7	32	1,26	1.1/4"
AJE-10-06	5/8"	14, 15, 16	7/8" - 14	9/16" - 18	43,4	24	0,94	15/16"
AJE-10-08	5/8"	14, 15, 16	7/8" - 14	3/4" - 16	41,7	24	0,94	15/16"
AJE-10-10	5/8"	14, 15, 16	7/8" - 14	7/8" - 14	43,2	27	1,06	1.1/16"
AJE-10-12	5/8"	14, 15, 16	7/8" - 14	1.1/16" - 12	47,2	32	1,26	1.1/4"
AJE-10-16	5/8"	14, 15, 16	7/8" - 14	1.5/16" - 12	48,0	41	1,61	1.5/8"
AJE-12-08	3/4"	18, 20	1.1/16" - 12	3/4" - 16	49,3	27	1,06	1.1/16"
AJE-12-10	3/4"	18, 20	1.1/16" - 12	7/8" - 14	47,8	30	1,18	1.3/16"
AJE-12-12	3/4"	18, 20	1.1/16" - 12	1.1/16" - 12	50,0	32	1,26	1.1/4"
AJE-12-16	3/4"	18, 20	1.1/16" - 12	1.5/16" - 12	50,6	41	1,61	1.5/8"
AJE-12-20	3/4"	18, 20	1.1/16" - 12	1.5/8" - 12	52,8	50	1,97	2"
AJE-16-08	1"	25	1.5/16" - 12	3/4" - 16	51,0	36	1,42	1.7/16"
AJE-16-12	1"	25	1.5/16" - 12	1.1/16" - 12	51,8	36	1,42	1.7/16"
AJE-16-16	1"	25	1.5/16" - 12	1.5/16" - 12	51,8	41	1,61	1.5/8"



Male stud connector - JIC 37° end / Male metric thread – ED seal (ISO 9974-2)

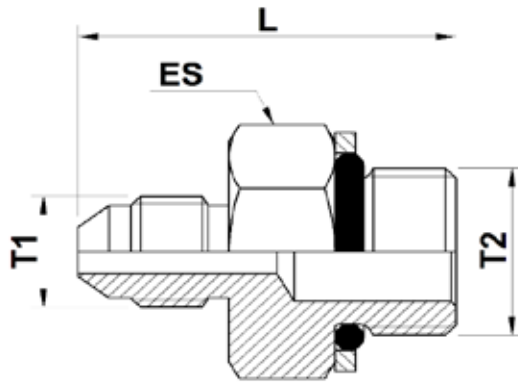
CODE	TUBE O.D.		THREAD		DIMENSION (mm)	ES		
	[inch]	[mm]	T1	T2	L	[mm]	[in]	
AJM-04-12	1/4"	6	7/16" - 20	M12 x 1,5	34,0	17	0,67	11/16"
AJM-06-12	3/8"	10	9/16" - 18	M12 x 1,5	34,5	17	0,67	11/16"
AJM-06-14	3/8"	10	9/16" - 18	M14 x 1,5	33,0	19	0,75	3/4"
AJM-06-16	3/8"	10	9/16" - 18	M16 x 1,5	36,5	22	0,87	7/8"
AJM-08-14	1/2"	12	3/4" - 16	M14 x 1,5	38,5	22	0,87	7/8"
AJM-08-16	1/2"	12	3/4" - 16	M16 x 1,5	37,7	22	0,87	7/8"
AJM-08-18	1/2"	12	3/4" - 16	M18 x 1,5	39,0	24	0,94	15/16"
AJM-10-22	5/8"	14, 15, 16	7/8" - 14	M22 x 1,5	43,5	27	1,06	1.1/16"
AJM-12-22	3/4"	18, 20	1.1/16"	M22 x 1,5	46,5	27	1,06	1.1/16"
AJM-12-26	3/4"	18, 20	1.1/16"	M26 x 1,5	50,0	32	1,26	1.1/4"
AJM-16-26	1"	25	1.5/16"	M26 x 1,5	50,0	36	1,42	1.7/16"
AJM-16-33	1"	25	1.5/16"	M33 x 2	51,5	41	1,61	1.5/8"
AJM-20-42	1.1/4"	28, 30, 32	1.5/8" - 12	M42 x 2	59,5	50	1,97	2"




(*) Dimensions to be confirmed.

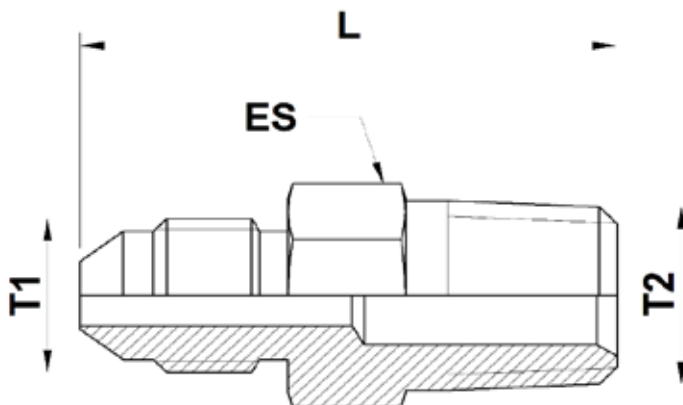
Male stud connector - JIC 37° end / Male metric thread – O-ring (ISO 6149)

CODE	TUBE O.D.		THREAD		DIMENSION (mm)	ES		
	[inch]	[mm]	T1	T2	L	[mm]	[in]	[in]
AJM1-04-10	1/4"	6	7/16" - 20	M10 x 1	30,0	14	0,55	9/16"
AJM1-06-12	3/8"	10	9/16" - 18	M12 x 1,5	34,0	17	0,67	11/16"
AJM1-06-14	3/8"	10	9/16" - 18	M14 x 1,5	35,0	19	0,75	3/4"
AJM1-06-16	3/8"	10	9/16" - 18	M16 x 1,5	35,1	22	0,87	7/8"
AJM1-08-14	1/2"	12	3/4" - 16	M14 x 1,5	37,0	19	0,75	3/4"
AJM1-08-16	1/2"	12	3/4" - 16	M16 x 1,5	38,0	22	0,87	7/8"
AJM1-08-22	1/2"	12	3/4" - 16	M22 x 1,5	41,5	27	1,06	1.1/16"
AJM1-12-27	3/4"	18, 20	1.1/16" - 12	M27 x 2	52,0	32	1,26	1.1/4"



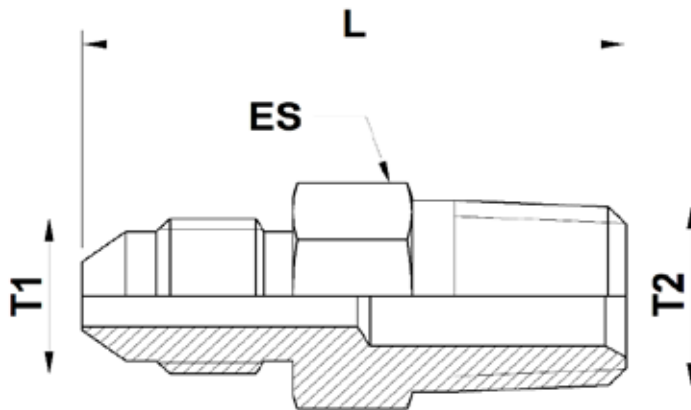
Male stud connector - JIC 37° end / Male metric thread – O-ring + retaining ring

CODE	TUBE O.D.		THREAD		DIMENSION (mm)	ES		
	[inch]	[mm]	T1	T2	L	[mm]	[in]	 [in]
AJMR-04-10	1/4"	6	7/16" - 20	M10 x 1	30,0	14	0,55	9/16"
AJMR-06-12	3/8"	10	9/16" - 18	M12 x 1,5	32,0	17	0,67	11/16"
AJMR-06-14	3/8"	10	9/16" - 18	M14 x 1,5	33,5	19	0,75	3/4"
AJMR-06-16	3/8"	10	9/16" - 18	M16 x 1,5	36,0	22	0,87	7/8"
AJMR-06-18	3/8"	10	9/16" - 18	M18 x 1,5	37,0	24	0,94	15/16"
AJMR-08-14	1/2"	12	3/4" - 16	M14 x 1,5	37,5	22	0,87	7/8"
AJMR-08-16	1/2"	12	3/4" - 16	M16 x 1,5	38,0	22	0,87	7/8"



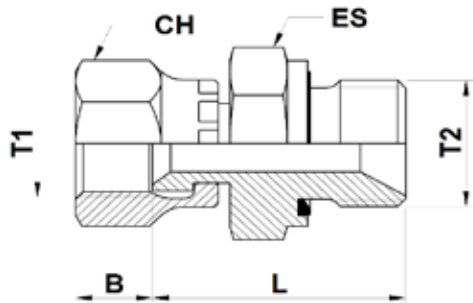
Male stud connector - JIC 37° end / Male NPTF thread

CODE	TUBE O.D.		THREAD		DIMENSION (mm) L	ES		
	[inch]	[mm]	T1	T2		[mm]	[in]	[in]
AJN-04-02	1/4"	6	7/16" - 20	1/8" - 27	31,0	14	0,55	9/16"
AJN-04-04	1/4"	6	7/16" - 20	1/4" - 18	36,1	14	0,55	9/16"
AJN-04-06	1/4"	6	7/16" - 20	3/8" - 18	36,1	19	0,75	3/4"
AJN-05-04	5/16"	8	1/2" - 20	1/4" - 18	36,1	14	0,55	9/16"
AJN-06-02	3/8"	10	9/16" - 18	1/8" - 27	31,5	17	0,67	11/16"
AJN-06-04	3/8"	10	9/16" - 18	1/4" - 18	36,3	17	0,67	11/16"
AJN-06-06	3/8"	10	9/16" - 18	3/8" - 18	36,3	19	0,75	3/4"
AJN-08-04	1/2"	12	3/4" - 16	1/4" - 18	38,3	22	0,87	7/8"
AJN-08-06	1/2"	12	3/4" - 16	3/8" - 18	38,9	22	0,87	7/8"
AJN-08-08	1/2"	12	3/4" - 16	1/2" - 14	45,5	22	0,87	7/8"
AJN-08-12	1/2"	12	3/4" - 16	3/4" - 14	47,0	27	1,06	1.1/16"
AJN-10-06	5/8"	14, 15, 16	7/8" - 14	3/8" - 18	43,2	24	0,94	15/16"
AJN-10-08	5/8"	14, 15, 16	7/8" - 14	1/2" - 14	48,0	24	0,94	15/16"
AJN-10-12	5/8"	14, 15, 16	7/8" - 14	3/4" - 14	49,5	27	1,06	1.1/16"
AJN-12-08	3/4"	18, 20	1.1/16" - 12	1/2" - 14	52,3	27	1,06	1.1/16"
AJN-12-12	3/4"	18, 20	1.1/16" - 12	3/4" - 14	52,3	27	1,06	1.1/16"
AJN-12-16	3/4"	18, 20	1.1/16" - 12	1" - 11.1/2	57,2	36	1,42	1.7/16"
AJN-16-12	1"	25	1.1/16" - 12	3/4" - 14	53,6	36	1,42	1.7/16"
AJN-16-16	1"	25	1.1/16" - 12	1" - 11.1/2	58,4	36	1,42	1.7/16"





Male stud connector - JIC 37° end / Male BSPT thread

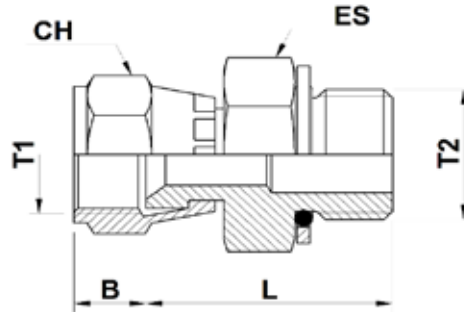
CODE	TUBE O.D.		THREAD		DIMENSION (mm)	ES		
	[inch]	[mm]	T1	T2	L	[mm]	[in]	[in]
AJT-04-02	1/4"	6	7/16" - 20	1/8" - 28	30,0	12	0,47	1/2"
AJT-04-04	1/4"	6	7/16" - 20	1/4" - 19	34,5	17	0,67	11/16"
AJT-06-06	3/8"	10	9/16" - 18	3/8" - 19	36,5	19	0,75	3/4"
AJT-08-08	1/2"	12	3/4" - 16	1/2" - 14	44,5	24	0,94	15/16"





(*) Dimensions to be confirmed.

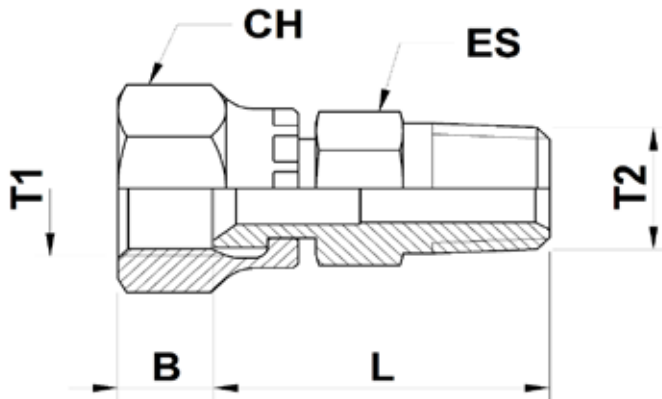
JIC 37° Female swivel end / Male BSPP end – ED seal (ISO 1179-2)

CODE	TUBE O.D.		THREAD		DIMENSION (mm)		ES			CH		
	[inch]	[mm]	T1	T2	L	B	[mm]	[in]	 [in]	[mm]	[in]	 [in]
GJB-04-02	1/4"	6	7/16" -20	1/8" -28	24,5	8,7	14	0,55	9/16"	14	0,55	9/16"
GJB-04-04	1/4"	6	7/16" -20	1/4" - 19	29,0	8,7	19	0,75	3/4"	14	0,55	9/16"
GJB-06-04	3/8"	10	9/16" - 18	1/4" - 19	30,0	9,5	19	0,75	3/4"	19	0,75	3/4"
GJB-06-06	3/8"	10	9/16" - 18	3/8" - 19	31,0	10,0	22	0,87	7/8"	19	0,75	3/4"
GJB-08-04	1/2"	12	3/4" - 16	1/4" - 19	32,5	10,7	19	0,75	3/4"	22	0,87	7/8"
GJB-08-06	1/2"	12	3/4" - 16	3/8" - 19	33,0	10,7	22	0,87	7/8"	22	0,87	7/8"
GJB-08-08	1/2"	12	3/4" - 16	1/2" - 14	37,0	10,7	27	1,06	1.1/16"	22	0,87	7/8"
GJB-10-06	5/8"	14, 15, 16	7/8" - 14	3/8" - 19	34,0	12,8	22	0,87	7/8"	27	1,06	1.1/16"
GJB-10-08	5/8"	14, 15, 16	7/8" - 14	1/2" - 14	36,5	12,5	27	1,06	1.1/16"	27	1,06	1.1/16"





JIC 37° Female swivel end /Male BSPP thread – O-ring + retaining ring (ISO 1179-3)

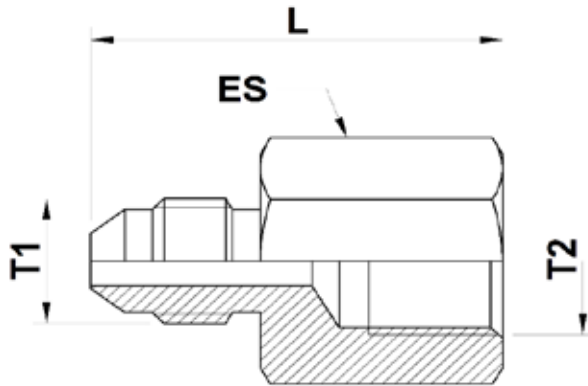
CODE	TUBE O.D.		THREAD		DIMENSION (mm)		ES			CH		
	[inch]	[mm]	T1	T2	L	B	[mm]	[in]	 [in]	[mm]	[in]	 [in]
GJBR-06-06	3/8"	10	9/16" - 18	3/8" - 19	32,0	9,5	22	0,87	7/8"	19	0,75	3/4"
GJBR-06-08	3/8"	10	9/16" - 18	1/2" - 14	33,0	9,5	27	1,06	1.1/16"	19	0,75	3/4"
GJBR-08-08	1/2"	12	3/4" - 16	1/2" - 14	36,6	10,7	27	1,06	1.1/16"	22	0,87	7/8"
GJBR-10-08	5/8"	14, 15, 16	7/8" - 14	1/2" - 14	37,0	12,7	27	1,06	1.1/16"	27	1,06	1.1/16"
GJBR-12-08	3/4"	18, 20	1.1/16" - 12	1/2" - 14	38,5	14,5	30	1,18	1.3/16"	32	1,26	1.1/4"



(*) Dimensions to be confirmed.


JIC 37° Female swivel end / Male NPT end

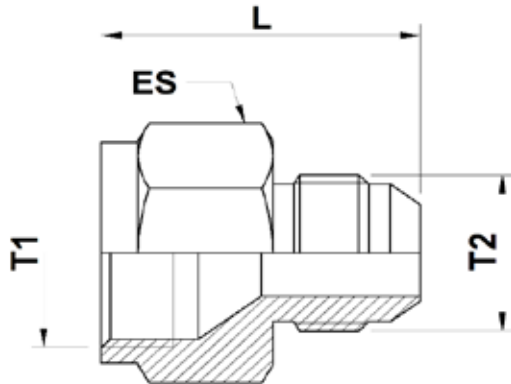
CODE	TUBE O.D.		THREAD		DIMENSION (mm)		ES			CH		
	[inch]	[mm]	T1	T2	L	B	[mm]	[in]	 [in]	[mm]	[in]	 [in]
GJN-04-04	1/4"	6	7/16" -20	1/4" - 18	30,0	8,7	14	0,55	9/16"	14	0,55	9/16"
GJN-04-06	1/4"	6	7/16" -20	3/8" - 18	30,0	8,7	19	0,75	3/4"	14	0,55	9/16"
GJN-06-04	3/8"	10	9/16" - 18	1/4" - 18	33,0	9,5	14	0,55	9/16"	19	0,75	3/4"
GJN-06-06	3/8"	10	9/16" - 18	3/8" - 18	33,0	9,5	19	0,75	3/4"	19	0,75	3/4"
GJN-08-08	1/2"	12	3/4" - 16	1/2" - 14	39,6	10,8	22	0,87	7/8"	22	0,87	7/8"
GJN-10-08	5/8"	14, 15, 16	7/8" - 14	1/2" - 14	40,7	12,8	24	0,94	15/16"	27	1,06	1.1/16"



(*) Dimensions to be confirmed.


Female connector -Male JIC 37° end / Female BSPP end

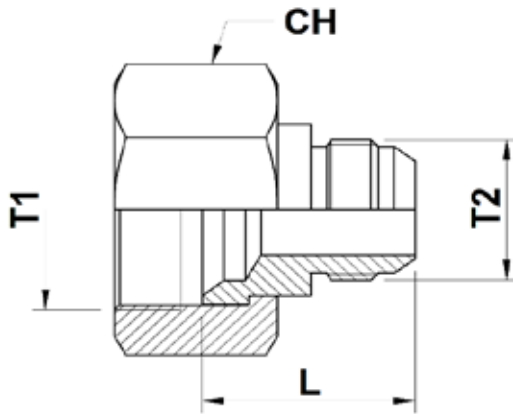
CODE	TUBE O.D.		THREAD		DIMENSION (mm)	ES		
	[inch]	[mm]	T1	T2	L	[mm]	[in]	
DJB-04-02	1/4"	6	7/16" - 20	1/8" - 28	29,5	14	0,55	9/16"
DJB-04-04	1/4"	6	7/16" - 20	1/4" - 19	34,0	19	0,75	3/4"
DJB-06-04	3/8"	10	9/16" - 18	1/4" - 19	35,5	19	0,75	3/4"
DJB-06-06	3/8"	10	9/16" - 18	3/8" - 19	34,0	22	0,87	7/8"
DJB-06-08	3/8"	10	9/16" - 18	1/2" - 14	35,0	22	0,87	7/8"
DJB-08-06	1/2"	12	3/4" - 16	3/8" - 19	36,5	22	0,87	7/8"
DJB-08-08	1/2"	12	3/4" - 16	1/2" - 14	40,8	27	1,06	1.1/16"
DJB-12-12	3/4"	18, 20	1.1/16" - 12	3/4" - 14	48,0	32	1,26	1.1/4"
DJB-16-16	1"	25	1.5/16" - 12	1" - 11	55,0	41	1,61	1.5/8"
DJB-20-20	1.1/4"	28, 30, 32	1.5/8" - 12	1.1/4" - 12	63,0	50	1,97	2"
DJB-24-24	1.1/2"	35, 38	1.7/8" - 12	1.1/2" - 11	65,5	55	2,16	2.3/16"



(*) Dimensions to be confirmed.

Reducer - JIC 37° Fixed Female end / JIC 37° Male end - type A

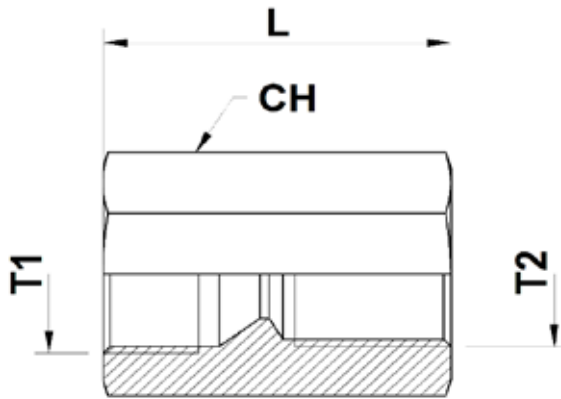
CODE	TUBE O.D.		THREAD		DIMENSION (mm)	ES		
	[inch]	[mm]	T1	T2	L	[mm]	[in]	 [in]
DJJA-06-05	5/16"	8	9/16" - 18	1/2" - 20	30	17	0,67	11/16"
DJJA-10-08	1/2"	12	7/8" - 14	3/4" - 16	38	27	1,06	1.1/16"
DJJA-12-10	5/8"	14, 15, 16	1.1/16" - 12	7/8" - 14	42,5	32	1,26	1.1/4"




(*) Dimensions to be confirmed.

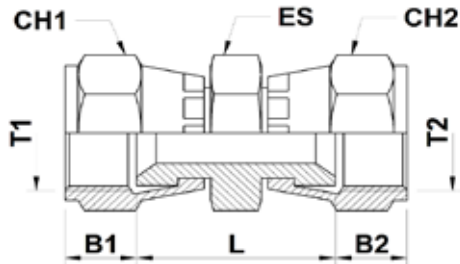
Reducer - JIC 37° Fixed Female end / JIC 37° Male end - type B

CODE	TUBE O.D.		THREAD		DIMENSION (mm)	CH		
	[inch]	[mm]	T1	T2	L	[mm]	[in]	[in]
DJJB-06-04	1/4"	6	9/16" - 18	7/16" - 20	24,5	19	0,75	3/4"
DJJB-08-04	1/4"	6	3/4" - 16	7/16" - 20	25,4	22	0,87	7/8"
DJJB-08-06	3/8"	10	3/4" - 16	9/16" - 18	25,4	22	0,87	7/8"
DJJB-10-04	1/4"	6	7/8" - 14	7/16" - 20	26,2	27	1,06	1.1/16"
DJJB-10-06	3/8"	10	7/8" - 14	9/16" - 18	26,2	27	1,06	1.1/16"
DJJB-12-04	1/4"	6	1.1/16" - 12	7/16" - 20	27,7	32	1,26	1.1/4"
DJJB-12-08	1/2"	12	1.1/16" - 12	3/4" - 16	30,2	32	1,26	1.1/4"
DJJB-16-06	3/8"	10	1-5/16" - 12	9/16" - 18	30,0	41	1,61	1.5/8"
DJJB-16-08	1/2"	12	1.5/16" - 12	3/4" - 16	32,5	41	1,61	1.5/8"
DJJB-16-10	5/8"	14, 15, 16	1-5/16" - 12	7/8" - 14	34,6	41	1,61	1.5/8"
DJJB-16-12	3/4"	18, 20	1.5/16" - 12	1.1/16" - 12	37,3	41	1,61	1.5/8"
DJJB-20-12	3/4"	18, 20	1.5/8" - 12	1.1/16" - 12	41,0	50	1,97	2"
DJJB-20-16	1"	25	1.5/8" - 12	1.5/16" - 12	42,2	50	1,97	2"
DJJB-24-12	3/4"	18, 20	1.7/8" - 12	1.1/16" - 12	45,7	60	2,36	2.3/8"
DJJB-24-16	1"	25	1.7/8" - 12	1.5/16" - 12	47,0	60	2,36	2.3/8"



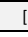


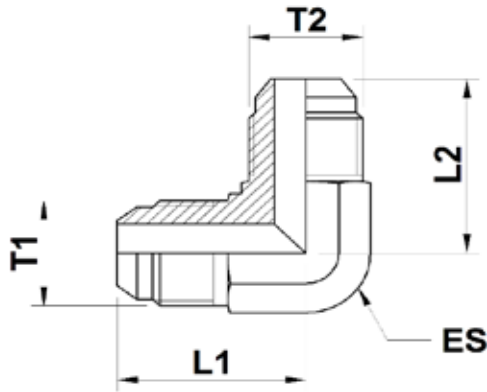
Test point connector - JIC 37° Fixed female end / Fixed BSPP Female end

CODE	TUBE O.D.		THREAD		DIMENSION (mm)	CH		
	[inch]	[mm]	T1	T2	L	[mm]	[in]	 [in]
UJT _B -04-04	1/4"	6	7/16" - 20	1/4" - 19	29,0	19	0,75	3/4"
UJT _B -06-04	3/8"	10	9/16" - 18	1/4" - 19	29,0	19	0,75	3/4"
UJT _B -08-04	1/2"	12	3/4" - 16	1/4" - 19	32,0	22	0,87	7/8"
UJT _B -10-04	5/8"	14, 15, 16	7/8" - 14	1/4" - 19	32,0	27	1,06	1.1/16"
UJT _B -12-04	3/4"	18, 20	1.1/16" - 12	1/4" - 19	38,0	32	1,26	1.1/4"
UJT _B -16-04	1"	25	1.5/16" - 12	1/4" - 19	40,0	41	1,61	1.5/8"



Union JIC 37° Female swivel nut

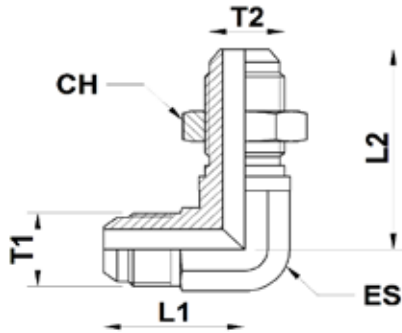
CODE	TUBE O.D.		THREAD		DIMENSION (mm)			ES			CH1			CH2		
	[inch]	[mm]	T1	T2	L	B1	B2	[mm]	[in]	 [in]	[mm]	[in]	 [in]	[mm]	[in]	 [in]
FJJH-04-04	1/4"	6	7/16" - 20	7/16" - 20	23,9	8,7	8,7	14	0,55	9/16"	14	0,55	9/16"	14	0,55	9/16"
FJJH-06-06	3/8"	10	9/16" - 18	9/16" - 18	27,2	9,5	9,5	16	0,63	9/16"	19	0,75	3/4"	19	0,75	3/4"
FJJH-08-08	1/2"	12	3/4" - 16	3/4" - 16	31,0	10,7	10,7	22	0,87	7/8"	22	0,87	7/8"	22	0,87	7/8"
FJJH-10-10	5/8"	14, 15, 16	7/8" - 14	7/8" - 14	34,5	12,7	12,7	24	0,94	15/16"	27	1,06	1.1/16"	27	1,06	1.1/16"
FJJH-12-12	3/4"	18, 20	1.1/16" - 12	1.1/16" - 12	36,0	14,2	14,2	32	1,26	1.1/4"	32	1,26	1.1/4"	32	1,26	1.1/4"
FJJH-16-16	1"	25	1.5/16" - 12	1.5/16" - 12	39,6	15,0	15,0	41	1,61	1.5/8"	41	1,61	1.5/8"	41	1,61	1.5/8"





(*) Dimensions to be confirmed.

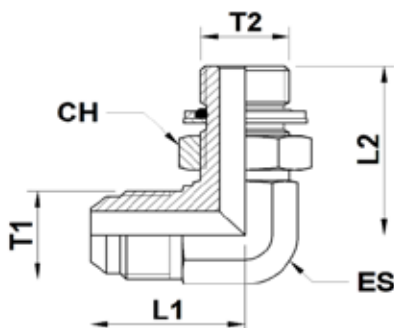
90° Union elbow - JIC Male 37° ends

CODE	TUBE O.D.		THREAD		DIMENSION (mm)		ES		
	[inch]	[mm]	T1	T2	L1	L2	[mm]	[in]	[in]
LAJJ-04-04	1/4"	6	7/16"-20	7/16"-20	22,6	22,6	11	0,43	7/16"
LAJJ-06-06	3/8"	10	9/16" - 18	9/16" - 18	26,9	26,9	14	0,55	9/16"
LAJJ-08-08	1/2"	12	3/4" - 16	3/4" - 16	31,8	31,8	19	0,75	3/4"
LAJJ-10-10	5/8"	14, 15, 16	7/8" - 14	7/8" - 14	36,8	36,8	22	0,87	7/8"
LAJJ-12-12	3/4"	18, 20	1.1/16" - 12	1.1/16" - 12	42,2	42,2	27	1,06	1.1/16"
LAJJ-16-16	1"	25	1.5/16"	1.5/16"	46,0	46,0	33	1,30	1.1/4"



90° Bulkhead union elbow - JIC Male 37° ends (complete with locknut)

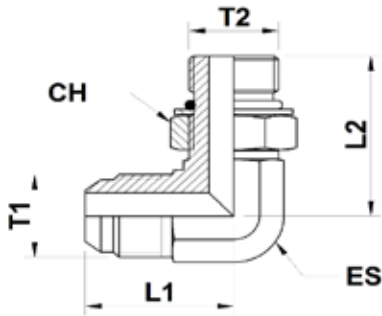
CODE	TUBE O.D.		THREAD		DIMENSION (mm)		ES			CH		
	[inch]	[mm]	T1	T2	L1	L2	[mm]	[in]	 [in]	[mm]	[in]	 [in]
LAJJP-04-04	1/4"	6	7/16"-20	7/16"-20	24,6	40,4	11	0,43	7/16"	17	0,67	11/16"
LAJJP-06-06	3/8"	10	9/16" - 18	9/16" - 18	27,7	46	14	0,55	9/16"	22	0,87	7/8"
LAJJP-08-08	1/2"	12	3/4" - 16	3/4" - 16	34,5	53,5	19	0,75	3/4"	24	0,94	15/16"
LAJJP-10-10	5/8"	14, 15, 16	7/8" - 14	7/8" - 14	39,6	60,7	22	0,87	7/8"	30	1,18	1.3/16"
LAJJP-12-12	3/4"	18, 20	1.1/16" - 12	1.1/16" - 12	45,2	67,8	27	1,06	1.1/16"	36	1,42	1.7/16"
LAJJP-16-16	1"	25	1.5/16"	1.5/16"	49,3	71,1	33	1,30	1.1/4"	41	1,61	1.5/8"
LAJJP-20-20	1.1/4"	28, 30, 32	1.5/8" - 12	1.5/8" - 12	55,1	79,3	41	1,61	1.5/8"	50	1,97	2"



(*) Dimensions to be confirmed.

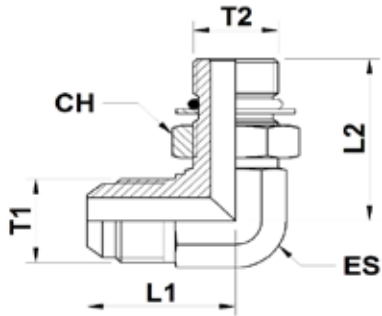
90° Male stud elbow - JIC 37° end / Adjustable BSPP end O-ring + retaining ring (ISO 1179-3)

CODE	TUBE O.D.		THREAD		DIMENSION (mm)		ES			CH		
	[inch]	[mm]	T1	T2	L1	L2	[mm]	[in]	[in]	[mm]	[in]	[in]
LAJBR-04-02	1/4"	6	7/16" - 20	1/8" - 28	22,6	26,2	11	0,43	7/16"	14	0,55	9/16"
LAJBR-04-04	1/4"	6	7/16" - 20	1/4" - 19	26,9	31,8	14	0,55	9/16"	19	0,75	3/4"
LAJBR-04-06	1/4"	6	7/16" - 20	3/8" - 19	28,5	36,8	19	0,75	3/4"	22	0,87	7/8"
LAJBR-05-04	5/16"	8	1/2" - 20	1/4" - 19	26,7	31,8	14	0,55	9/16"	19	0,75	3/4"
LAJBR-06-04	3/8"	10	9/16" - 18	1/4" - 19	26,9	31,8	14	0,55	9/16"	19	0,75	3/4"
LAJBR-06-06	3/8"	10	9/16" - 18	3/8" - 19	29,0	36,8	19	0,75	3/4"	22	0,87	7/8"
LAJBR-06-08	3/8"	10	9/16" - 18	1/2" - 14	31,0	43,0	22	0,87	7/8"	27	1,06	1.1/16"
LAJBR-08-06	1/2"	12	3/4" - 16	3/8" - 19	31,8	36,8	19	0,75	3/4"	22	0,87	7/8"
LAJBR-08-08	1/2"	12	3/4" - 16	1/2" - 14	33,8	43,2	22	0,87	7/8"	27	1,06	1.1/16"
LAJBR-08-12	1/2"	12	3/4" - 16	3/4" - 14	36,0	50,0	27	1,06	1.1/16"	36	1,42	1.7/16"
LAJBR-10-06	5/8"	14, 15, 16	7/8" - 14	3/8" - 19	36,5	39,5	22	0,87	7/8"	22	0,87	7/8"
LAJBR-10-08	5/8"	14, 15, 16	7/8" - 14	1/2" - 14	36,8	43,2	22	0,87	7/8"	27	1,06	1.1/16"
LAJBR-10-12	5/8"	14, 15, 16	7/8" - 14	3/4" - 14	39,5	49,0	27	1,06	1.1/16"	32	1,26	1.1/4"
LAJBR-12-08	3/4"	18, 20	1.1/16" - 12	1/2" - 14	42,2	45,5	27	1,06	1.1/16"	27	1,06	1.1/16"
LAJBR-12-12	3/4"	18, 20	1.1/16" - 12	3/4" - 14	42,2	49,3	27	1,06	1.1/16"	36	1,42	1.7/16"
LAJBR-12-16	3/4"	18, 20	1.1/16" - 12	1" - 11	44,5	52,0	33	1,30	1.1/4"	41	1,61	1.5/8"
LAJBR-16-12	1"	25	1.5/16" - 12	3/4" - 14	46,0	52,1	33	1,30	1.1/4"	36	1,42	1.7/16"
LAJBR-16-16	1"	25	1.5/16" - 12	1" - 11	46,0	52,1	33	1,30	1.1/4"	41	1,61	1.5/8"
LAJBR-20-16	1.1/4"	28, 30, 32	1.5/8" - 12	1" - 11	52,3	57,2	41	1,61	1.5/8"	41	1,61	1.5/8"
LAJBR-20-20	1.1/4"	28, 30, 32	1.5/8" - 12	1.1/4" - 11	52,3	57,2	41	1,61	1.5/8"	50	1,97	2"
LAJBR-24-20	1.1/2"	35, 38	1.7/8" - 12	1.1/4" - 11	59,0	61,0	48	1,89	1.7/8"	50	1,97	2"
LAJBR-24-24	1.1/2"	35, 38	1.7/8" - 12	1.1/2" - 11	59,2	67,5	48	1,89	1.7/8"	55	2,16	2.3/16"



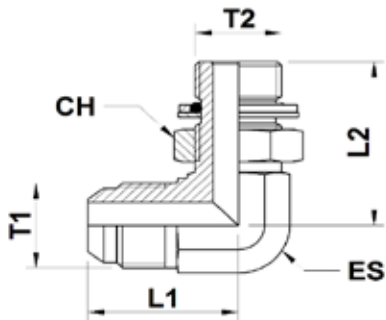
90° Male stud elbow - JIC 37° end / Adjustable UN/UNF end – O-ring (ISO 11926)

CODE	TUBE O.D.		THREAD		DIMENSION (mm)		ES			CH		
	[inch]	[mm]	T1	T2	L1	L2	[mm]	[in]	[in]	[mm]	[in]	[in]
LAJE-04-04	1/4"	6	7/16" - 20	7/16" - 20	22,6	26,2	11	0,43	7/16"	14	0,55	9/16"
LAJE-06-04	3/8"	10	9/16" - 18	7/16" - 20	27,0	30,0	14	0,55	9/16"	14	0,55	9/16"
LAJE-06-06	3/8"	10	9/16" - 18	9/16" - 18	26,9	31,8	14	0,55	9/16"	17	0,67	11/16"
LAJE-06-08	3/8"	10	9/16" - 18	3/4" - 16	28,9	36,8	19	0,75	3/4"	22	0,87	7/8"
LAJE-06-10	3/8"	10	9/16" - 18	7/8" - 14	31,0	43,2	22	0,87	7/8"	27	1,06	1.1/16"
LAJE-08-08	1/2"	12	3/4" - 16	3/4" - 16	31,8	36,8	19	0,75	3/4"	22	0,87	7/8"
LAJE-08-10	1/2"	12	3/4" - 16	7/8" - 14	33,8	43,2	22	0,87	7/8"	27	1,06	1.1/16"
LAJE-10-08	5/8"	14, 15, 16	7/8" - 14	3/4" - 16	36,8	39,0	22	0,87	7/8"	22	0,87	7/8"
LAJE-10-10	5/8"	14, 15, 16	7/8" - 14	7/8" - 14	36,8	43,2	22	0,87	7/8"	27	1,06	1.1/16"
LAJE-10-12	5/8"	14, 15, 16	7/8" - 14	1.1/16" - 12	39,1	49,3	27	1,06	1.1/16"	32	1,26	1.1/4"





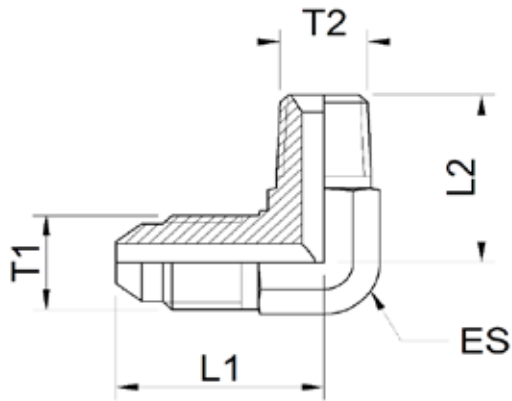
90° Male stud elbow - JIC 37° end /Adjustable metric end – O-ring (ISO 6149)

CODE	TUBE O.D.		THREAD		DIMENSION (mm)		ES			CH		
	[inch]	[mm]	T1	T2	L1	L2	[mm]	[in]	[in]	[mm]	[in]	[in]
LAJM1-04-12	1/4"	6	7/16" - 20	M12 x 1,5	24,1	32,0	14	0,55	9/16"	17	0,67	11/16"
LAJM1-06-16	3/8"	10	9/16" - 18	M16 x 1,5	29,0	36,4	19	0,75	3/4"	22	0,87	7/8"
LAJM1-08-18	1/2"	12	3/4" - 16	M18 x 1,5	31,8	36,8	19	0,75	3/4"	24	0,94	15/16"
LAJM1-10-22	5/8"	14, 15, 16	7/8" - 14	M22 x 1,5	36,8	41,7	22	0,87	7/8"	27	1,06	1.1/16"
LAJM1-12-27	3/4"	18, 20	1.1/16" - 12	M27 x 2	42,0	50,0	27	1,06	1.1/16"	32	1,26	1.1/4"
LAJM1-16-33	1"	25	1.5/16" - 12	M33 x 2	46,0	53,0	33	1,30	1.1/4"	41	1,61	1.5/8"
LAJM1-20-42	1.1/4"	28, 30, 32	1.5/8" - 12	M42 x 2	52,0	60,0	41	1,61	1.5/8"	50	1,97	2"



90° Male stud elbow - JIC Male 37° end / Male metric end – O-ring + retaining ring

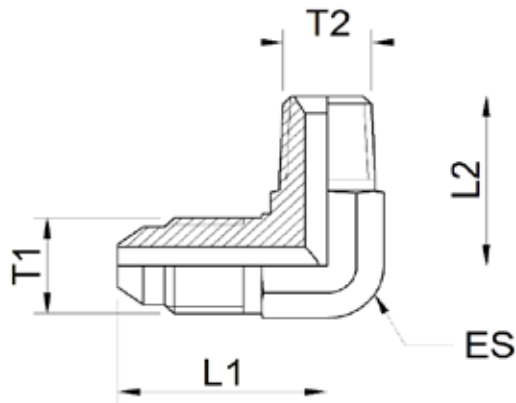
CODE	TUBE O.D.		THREAD		DIMENSION (mm)		ES			CH		
	[inch]	[mm]	T1	T2	L1	L2	[mm]	[in]	 [in]	[mm]	[in]	 [in]
LAJMR-04-12	1/4"	6	7/16" - 20	M12 x 1,5	24,1	32,0	14	0,55	9/16"	17	0,67	11/16"
LAJMR-06-12	3/8"	10	9/16" - 18	M12 x 1,5	27,0	31,5	14	0,55	9/16"	17	0,67	11/16"
LAJMR-06-14	3/8"	10	9/16" - 18	M14 x 1,5	26,9	32,5	14	0,55	9/16"	19	0,75	3/4"
LAJMR-08-16	1/2"	12	3/4" - 16	M16 x 1,5	31,8	36,4	19	0,75	3/4"	22	0,87	7/8"
LAJMR-08-18	1/2"	12	3/4" - 16	M18 x 1,5	31,8	36,8	19	0,75	3/4"	24	0,94	15/16"
LAJMR-10-18	5/8"	14, 15 ,16	7/8" - 14	M18 x 1,5	36,8	41,0	22	0,87	7/8"	24	0,94	15/16"
LAJMR-10-22	5/8"	14, 15 ,16	7/8" - 14	M22 x 1,5	36,8	41,7	22	0,87	7/8"	27	1,06	1.1/16"
LAJMR-16-33	1"	25	1.5/16" - 12	M33 x 2	46,0	53,0	33	1,30	1.1/4"	41	1,61	1.5/8"
LAJMR-20-42	1.1/4"	28, 30, 32	1.5/8" - 12	M42 x 2	52,3	58,0	41	1,61	1.5/8"	50	1,97	2"




(*) Dimensions to be confirmed.

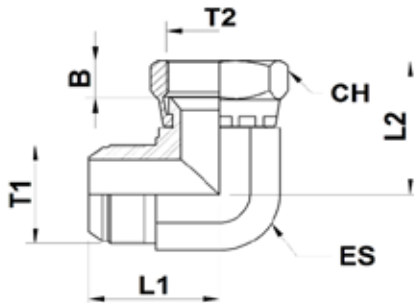
90° Male stud elbow - JIC 37° end / Male NPTF end

CODE	TUBE O.D.		THREAD		DIMENSION (mm)		ES		
	[inch]	[mm]	T1	T2	L1	L2	[mm]	[in]	[in]
LAJN-04-02	1/4"	6	7/16" - 20	1/8" - 27	22,6	19,8	11	0,43	7/16"
LAJN-04-04	1/4"	6	7/16" - 20	1/4" - 18	26,7	27,7	14	0,55	9/16"
LAJN-04-06	1/4"	6	7/16" - 20	3/8" - 18	28,5	31,0	19	0,75	3/4"
LAJN-05-02	5/16"	8	1/2" - 20	1/8" - 27	24,1	19,8	14	0,55	9/16"
LAJN-06-04	3/8"	10	9/16" - 18	1/4" - 18	26,9	27,7	14	0,55	9/16"
LAJN-06-06	3/8"	10	9/16" - 18	3/8" - 18	29,0	31,0	19	0,75	3/4"
LAJN-08-04	1/2"	12	3/4" - 16	1/4" - 18	31,8	31,0	19	0,75	3/4"
LAJN-08-08	1/2"	12	3/4" - 16	1/2" - 14	33,8	37,3	22	0,87	7/8"
LAJN-08-12	1/2"	12	3/4" - 16	3/4" - 14	36,1	40,4	27	1,06	1.1/16"





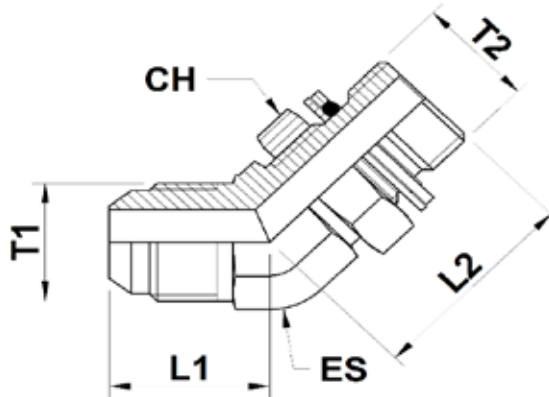
90° Male stud elbow - JIC 37° end / Male BSPT end

CODE	TUBE O.D.		THREAD		DIMENSION (mm)		ES		
	[inch]	[mm]	T1	T2	L1	L2	[mm]	[in]	 [in]
LAJT-04-02	1/4"	6	7/16" - 20	1/8" - 28	22,6	19,8	11	0,43	7/16"
LAJT-04-04	1/4"	6	7/16" - 20	1/4" - 19	26,7	27,7	14	0,55	9/16"
LAJT-06-04	3/8"	10	9/16" - 18	1/4" - 19	26,9	27,7	14	0,55	9/16"
LAJT-06-06	3/8"	10	9/16" - 18	3/8" - 19	29,0	31,0	19	0,75	3/4"
LAJT-06-08	3/8"	10	9/16" - 18	1/2" - 14	31,0	37,3	22	0,87	7/8"
LAJT-08-06	1/2"	12	3/4" - 16	3/8" - 19	31,8	31,0	19	0,75	3/4"
LAJT-08-08	1/2"	12	3/4" - 16	1/2" - 14	33,8	37,3	22	0,87	7/8"




90° Swivel nut elbow - JIC Male 37° end / JIC 37° Female swivel end

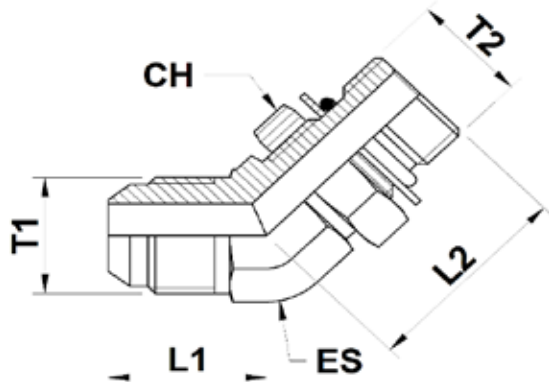
CODE	TUBE O.D.		THREAD		DIMENSION (mm)			ES			CH		
	[inch]	[mm]	T1	T2	L1	L2	B	[mm]	[in]	 [in]	[mm]	[in]	 [in]
LGJJ-04-04	1/4"	6	7/16" - 20	7/16" - 20	22,6	25,4	8,7	11	0,43	7/16"	14	0,55	9/16"
LGJJ-05-05	5/16"	8	1/2" - 20	1/2" - 20	24,1	26,9	9,5	14	0,55	9/16"	16	0,63	9/16"
LGJJ-06-06	3/8"	10	9/16" - 18	9/16" - 18	26,9	31,8	9,5	14	0,55	9/16"	19	0,75	3/4"
LGJJ-08-08	1/2"	12	3/4" - 16	3/4" - 16	31,8	35,1	10,7	19	0,75	3/4"	22	0,87	7/8"
LGJJ-10-10	5/8"	14, 15, 16	7/8" - 14	7/8" - 14	36,8	41,1	12,7	22	0,87	7/8"	27	1,06	1.1/16"
LGJJ-12-12	3/4"	18, 20	1.1/16" - 12	1.1/16" - 12	42,2	44,5	14,3	27	1,06	1.1/16"	32	1,26	1.1/4"
LGJJ-16-16	1"	25	1.5/16" - 12	1.5/16" - 12	46,0	35,7	15,7	33	1,30	1.1/4"	41	1,61	1.5/8"
LGJJ-24-24	1.1/2"	35, 38	1.7/8" - 12	1.7/8" - 12	59,2	65,8	18,6	48	1,89	1.7/8"	60	2,36	2.3/8"
LGJJ-32-32	2"	51	2.1/2" - 12	2.1/2" - 12	77,7	85,9	23,8	63,5	2,50	2.3/8"	73	2,87	2.7/8"



(*) Dimensions to be confirmed.

45° Male stud elbow - JIC 37° end / Adjustable BSP end O-ring + retaining ring (ISO 117)

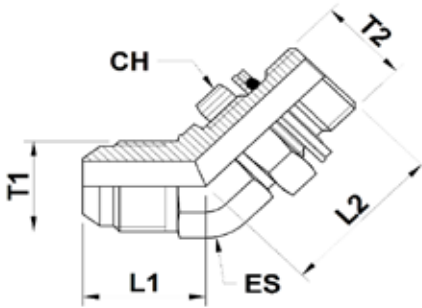
CODE	TUBE O.D.		THREAD		DIMENSION (mm)		ES		
	[inch]	[mm]	T1	T2	L1	L2	[mm]	[in]	
VAJBR-04-04	1/4"	6	7/16" - 20	1/4" - 19	21,0	29,0	14	0,55	9/16"
VAJBR-06-04	3/8"	10	9/16" - 18	1/4" - 19	21,0	29,0	14	0,55	9/16"
VAJBR-06-06	3/8"	10	9/16" - 18	3/8" - 19	22,0	33,0	19	0,75	3/4"
VAJBR-08-08	1/2"	12	3/4" - 16	1/2" - 14	25,5	38,5	22	0,87	7/8"
VAJBR-10-08	5/8"	14, 15, 16	7/8" - 14	1/2" - 14	27,9	38,5	22	0,87	7/8"
VAJBR-12-12	3/4"	18, 20	1.1/16" - 12	3/4" - 14	32,5	44,0	27	1,06	1.1/16"
VAJBR-16-16	1"	25	1.5/16" - 12	1" - 11	37,3	47,2	33	1,30	1.1/4"





(*) Dimensions to be confirmed.

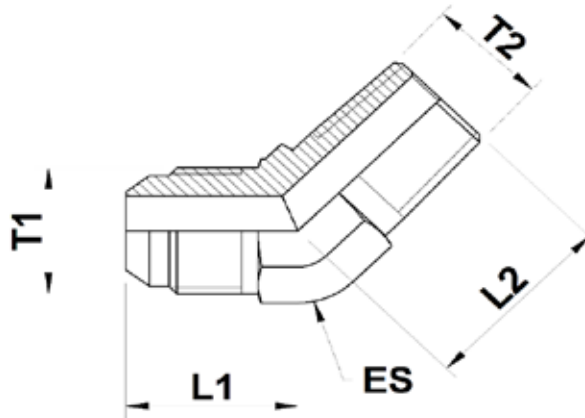
45° Male stud elbow - Male JIC 37° end / Adjustable UN/UNF end – O-ring (ISO 11926)

CODE	TUBE O.D.		THREAD		DIMENSION (mm)		ES		
	[inch]	[mm]	T1	T2	L1	L2	[mm]	[in]	[in]
VAJE-04-04	1/4"	6	7/16" - 20	7/16" - 20	18,3	26,7	14	0,55	9/16"
VAJE-06-06	3/8"	10	9/16" - 18	9/16" - 18	21,1	29,0	14	0,55	9/16"
VAJE-08-08	1/2"	12	3/4" - 16	3/4" - 16	25,0	33,0	19	0,75	3/4"
VAJE-08-10	1/2"	12	3/4" - 16	7/8" - 14	25,2	38,6	22	0,87	7/8"
VAJE-10-10	5/8"	14, 15, 16	7/8" - 14	7/8" - 14	28,2	38,6	22	0,87	7/8"
VAJE-12-10	3/4"	18, 20	1.1/16" - 12	7/8" - 14	32,5	39,8	27	1,06	1.1/16"
VAJE-12-12	3/4"	18, 20	1.1/16" - 12	1.1/16" - 12	32,5	44,0	27	1,06	1.1/16"
VAJE-20-20	1"	25	1.5/8" - 12	1.5/8" - 12	40,3	48,5	41	1,61	1.5/8"




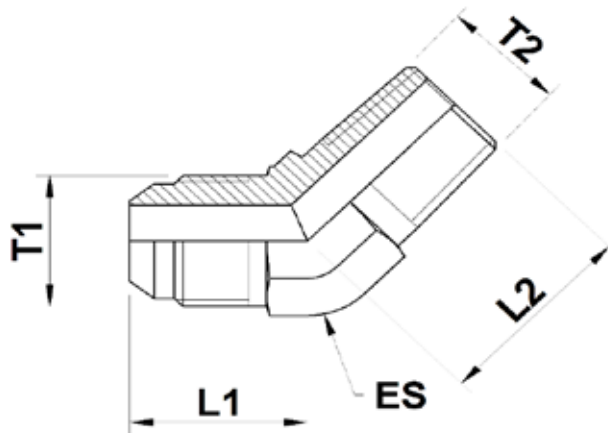
45° Male stud elbow - Male JIC 37° ends / Male metric end – O-ring + retaining ring

CODE	TUBE O.D.		THREAD		DIMENSION (mm)		ES			CH		
	[inch]	[mm]	T1	T2	L1	L2	[mm]	[in]	 [in]	[mm]	[in]	 [in]
VAJMR-04-10	1/4"	6	7/16" - 20	M10 x 1	18,0	26,5	14	0,55	9/16"	14	0,55	9/16"
VAJMR-04-12	1/4"	6	7/16" - 20	M12 x 1,5	21,0	29,0	14	0,55	9/16"	17	0,67	11/16"
VAJMR-06-14	3/8"	10	9/16" - 18	M14 x 1,5	21,5	28,0	14	0,55	9/16"	19	0,75	3/4"
VAJMR-08-16	1/2"	12	3/4" - 16	M16 x 1,5	25,0	33,0	19	0,75	3/4"	22	0,87	7/8"
VAJMR-08-18	1/2"	12	3/4" - 16	M18 x 1,5	25,0	33,0	19	0,75	3/4"	24	0,94	15/16"
VAJMR-10-22	3/4"	18, 20	7/8" - 14	M22 x 1,5	28,0	38,5	22	0,87	7/8"	27	1,06	1.1/16"
VAJMR-12-27	1"	25	1.1/16" - 12	M27 x 2	32,5	44,0	27	1,06	1.1/16"	32	1,26	1.1/4"




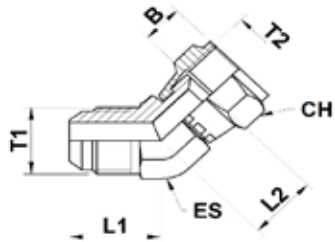
45° Male stud elbow - Male JIC 37° end / Male NPTF end

CODE	TUBE O.D.		THREAD		DIMENSION (mm)		ES		
	[inch]	[mm]	T1	T2	L1	L2	[mm]	[in]	 [in]
VAJN-04-02	1/4"	6	7/16" - 20	1/8" - 27	18,3	16,3	11	0,43	7/16"
VAJN-04-04	1/4"	6	7/16" - 20	1/4" - 18	20,8	21,8	14	0,55	9/16"
VAJN-06-04	3/8"	10	9/16" - 18	1/4" - 18	21	21,8	14	0,55	9/16"
VAJN-06-06	3/8"	10	9/16" - 18	3/8" - 18	22	24	19	0,75	3/4"
VAJN-06-08	3/8"	10	9/16" - 18	1/2" - 14	25	29,7	22	0,87	7/8"
VAJN-08-06	1/2"	12	3/4" - 16	3/8" - 18	25	24	19	0,75	3/4"
VAJN-08-08	1/2"	12	3/4" - 16	1/2" - 14	25,2	29,7	22	0,87	7/8"





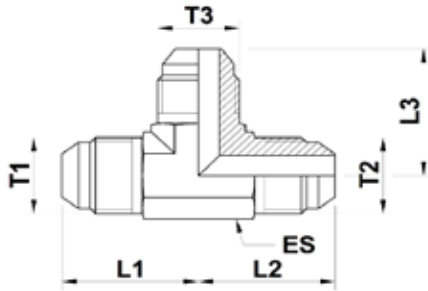
45° Male stud elbow - Male JIC 37° end / Male BSPT end

CODE	TUBE O.D.		THREAD		DIMENSION (mm)		ES		
	[inch]	[mm]	T1	T2	L1	L2	[mm]	[in]	
VAJT-04-02	1/4"	6	7/16" - 20	1/8" - 28	18,3	16,3	11	0,43	7/16"



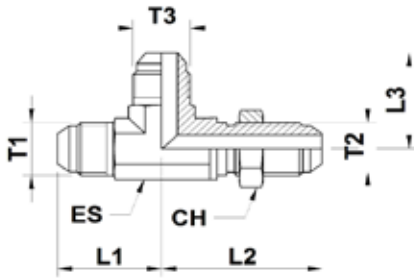
45° Swivel nut elbow - Male JIC 37° end / JIC 37° Female swivel end

CODE	TUBE O.D.		THREAD		DIMENSION (mm)			ES			CH		
	[inch]	[mm]	T1	T2	L1	L2	B	[mm]	[in]	 [in]	[mm]	[in]	 [in]
VGJJ-04-04	1/4"	6	7/16" - 20	7/16" - 20	18,3	23,9	8,7	11	0,43	===	14	0,55	9/16"
VGJJ-06-06	3/8"	10	9/16" - 18	9/16" - 18	21,1	28,4	9,5	14	0,55	9/16"	19	0,75	3/4"
VGJJ-08-08	1/2"	12	3/4" - 16	3/4" - 16	24,9	32,5	10,7	19	0,75	3/4"	22	0,87	7/8"
VGJJ-10-10	5/8"	14, 15, 16	7/8" - 14	7/8" - 14	28,2	36,6	12,7	22	0,87	7/8"	27	1,06	1.1/16"
VGJJ-12-12	3/4"	18, 20	1.1/16" - 12	1.1/16" - 12	32,5	38,1	14,3	27	1,06	1.1/16"	32	1,26	1.1/4"
VGJJ-16-16	1"	25	1.5/16" - 12	1.5/16" - 12	37,3	44,5	15,1	33	1,30	1.1/4"	38	1,50	1.1/2"
VGJJ-20-20	1.1/4"	28, 30, 32	1.5/8" - 12	1.5/8" - 12	40,4	51,6	15,9	41	1,61	1.5/8"	50	1,97	2"





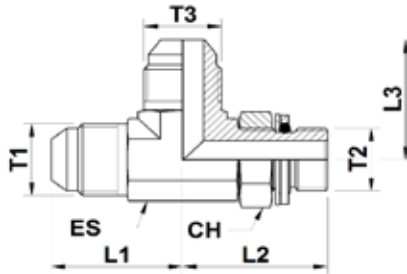
Union tee - Male JIC 37° ends

CODE	TUBE O.D. T1/T3		TUBE O.D. T2		THREAD			DIMENSION (mm)			ES		
	[inch]	[mm]	[inch]	[mm]	T1	T2	T3	L1	L2	L3	[mm]	[in]	
T1J-04-04-04	1/4"	6	1/4"	6	7/16" - 20	7/16" - 20	7/16" - 20	22,6	22,6	22,6	11	0,43	7/16"
T1J-06-06-06	3/8"	10	3/8"	10	9/16" - 18	9/16" - 18	9/16" - 18	26,9	26,9	26,9	14	0,55	9/16"
T1J-06-08-06	3/8"	10	1/2"	12	9/16" - 18	3/4" - 16	9/16" - 18	29,0	31,8	29,0	19	0,75	3/4"
T1J-08-08-08	1/2"	12	1/2"	12	3/4" - 16	3/4" - 16	3/4" - 16	31,8	31,8	31,8	19	0,75	3/4"
T1J-10-10-10	5/8"	14, 15, 16	5/8"	14, 15, 16	7/8" - 14	7/8" - 14	7/8" - 14	36,8	36,8	36,8	22	0,87	7/8"
T1J-12-12-12	3/4"	18, 20	3/4"	18, 20	1.1/16" - 12	1.1/16" - 12	1.1/16" - 12	42,2	42,2	42,2	27	1,06	1.1/16"
T1J-16-16-16	1"	25	1"	25	1.5/16" - 12	1.5/16" - 12	1.5/16" - 12	46,0	46,0	46,0	33	1,30	1.5/16"
T1J-24-24-24	1.1/2"	35, 38	1.1/2"	35, 38	1.7/8" - 12	1.7/8" - 12	1.7/8" - 12	59,2	59,2	59,2	48	1,89	1.7/8"





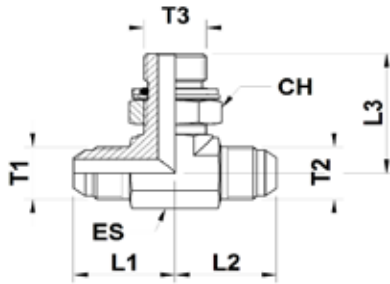
Bulkhead run tee - JIC Male 37° ends (complete with locknut)

CODE	TUBE O.D.		DIMENSION (mm)			ES			CH					
	[inch]	[mm]	T1	T2	T3	L1	L2	L3	[mm]	[in]	 [in]	[mm]	[in]	 [in]
T2JP-04-04-04	1/4"	6	7/16" - 20	7/16" - 20	7/16" - 20	24,6	40,4	24,6	11	0,43	7/16"	17	0,67	11/16"
T2JP-06-06-06	3/8"	10	9/16" - 18	9/16" - 18	9/16" - 18	27,7	46,0	27,7	14	0,55	9/16"	22	0,87	7/8"
T2JP-08-08-08	1/2"	12	3/4" - 16	3/4" - 16	3/4" - 16	34,5	53,6	34,5	19	0,75	3/4"	24	0,94	15/16"
T2JP-10-10-10	5/8"	14, 15, 16	7/8" - 14	7/8" - 14	7/8" - 14	39,6	60,7	39,6	22	0,87	7/8"	30	1,18	1.3/16"
T2JP-12-12-12	3/4"	18, 20	1.1/16" - 12	1.1/16" - 12	1.1/16" - 12	45,2	67,8	45,2	27	1,06	1.1/16"	36	1,42	1.7/16"
T2JP-16-16-16	1"	25	1.5/16" - 12	1.5/16" - 12	1.5/16" - 12	49,3	71,0	49,3	33	1,30	1.1/4"	41	1,61	1.5/8"
T2JP-20-20-20	1.1/4"	28, 30, 32	1.5/8" - 12	1.5/8" - 12	1.5/8" - 12	55,0	79,3	55,0	41	1,61	1.5/8"	50	1,97	2"





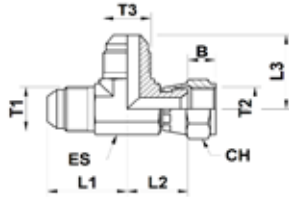
Male stud run tee - JIC Male 37° ends / Adjustable BSPP end O-ring + retaining ring (ISO 1179-3)

CODE	TUBE O.D.		THREAD			DIMENSION (mm)			ES			CH		
	[inch]	[mm]	T1	T2	T3	L1	L2	L3	[mm]	[in]	 [in]	[mm]	[in]	 [in]
T2JBR-06-04-06	1/4"	6	9/16" - 18	1/4" - 19	9/16" - 18	26,9	31,8	26,9	14	0,55	9/16"	19	0,75	3/4"
T2JBR-08-06-08	3/8"	10	3/4" - 16	3/8" - 19	3/4" - 16	31,8	36,8	31,8	19	0,75	3/4"	22	0,87	7/8"
T2JBR-10-08-10	1/2"	12	7/8" - 14	1/2" - 14	7/8" - 14	36,8	43,2	36,8	22	0,87	7/8"	27	1,06	1.1/16"
T2JBR-12-12-12	3/4"	18, 20	1.1/16" - 12	3/4" - 14	1.1/16" - 12	42,2	49,3	42,2	27	1,06	1.1/16"	36	1,42	1.7/16"
T2JBR-16-16-16	1"	25	1.5/16" - 12	1" - 11	1.5/16" - 12	46,0	52,1	46,0	33	1,30	1.1/4"	41	1,61	1.5/8"
T2JBR-20-20-20	1.1/4"	28, 30, 32	1.5/8" - 12	1.1/4" - 11	1.5/8" - 12	52,0	57,0	52,0	41	1,61	1.5/8"	50	1,97	2"



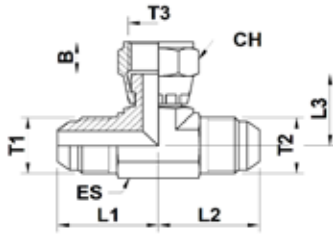
Male stud branch tee - Male JIC 37° ends / Adjustable BSPP end O-ring + retaining ring (ISO 1179-3)

CODE	TUBE O.D.		THREAD			DIMENSION (mm)			ES			CH		
	[inch]	[mm]	T1	T2	T3	L1	L2	L3	[mm]	[in]		[mm]	[in]	
T3JBR-04-04-02	1/4"	6	7/16" - 20	7/16" - 20	1/8" - 28	22,5	22,5	26,0	11	0,43	7/16"	14	0,55	9/16"
T3JBR-06-06-04	3/8"	10	9/16" - 18	9/16" - 18	1/4" - 19	27,0	27,0	31,8	14	0,55	9/16"	19	0,75	3/4"
T3JBR-08-08-06	1/2"	12	3/4" - 16	3/4" - 16	3/8" - 19	31,5	31,5	36,5	19	0,75	3/4"	22	0,87	7/8"
T3JBR-08-08-08	1/2"	12	3/4" - 16	3/4" - 16	1/2" - 14	34,0	34,0	43,0	22	0,87	7/8"	27	1,06	1.1/16"
T3JBR-10-10-08	5/8"	14, 15, 16	7/8" - 14	7/8" - 14	1/2" - 14	36,5	36,5	43,0	22	0,87	7/8"	27	1,06	1.1/16"
T3JBR-12-12-12	3/4"	18, 20	1.1/16" - 12	1.1/16" - 12	3/4" - 14	46,0	46,0	52,0	33	1,30	1.1/4"	41	1,61	1.5/8"
T3JBR-16-16-16	1"	25	1.5/16" - 12	1.5/16" - 12	1" - 11	46,0	46,0	52,0	33	1,30	1.1/4"	41	1,61	1.5/8"



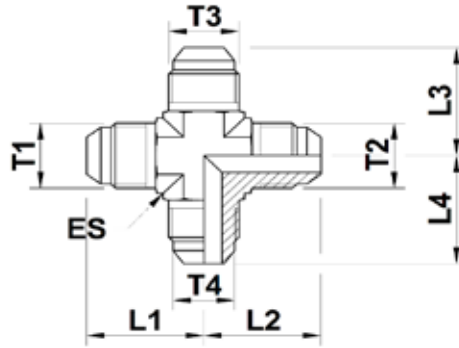
Swivel nut run tee - Male JIC 37° ends / JIC 37° Female swivel end

CODE	TUBE O.D.		THREAD			DIMENSION (mm)				ES			CH		
	[inch]	[mm]	T1	T2	T3	L1	L2	L3	B	[mm]	[in]		[mm]	[in]	
T4J-04-04-04	1/4"	6	7/16" - 20	7/16" - 20	7/16" - 20	22,6	25,4	22,6	8,7	11	0,43	7/16"	14	0,55	9/16"
T4J-06-06-06	3/8"	10	9/16" - 18	9/16" - 18	9/16" - 18	26,9	31,8	26,9	9,5	14	0,55	9/16"	19	0,75	3/4"
T4J-08-08-08	1/2"	12	3/4" - 16	3/4" - 16	3/4" - 16	31,8	35,1	31,8	10,7	19	0,75	3/4"	22	0,87	7/8"
T4J-10-10-10	5/8"	14, 15, 16	7/8" - 14	7/8" - 14	7/8" - 14	36,8	41,1	36,8	12,7	22	0,87	7/8"	27	1,06	1.1/16"
T4J-12-12-12	3/4"	18, 20	1.1/16" - 12	1.1/16" - 12	1.1/16" - 12	42,2	44,5	42,2	14,3	27	1,06	1.1/16"	32	1,26	1.1/4"
T4J-16-16-16	1"	25	1.5/16" - 12	1.5/16" - 12	1.5/16" - 12	46,0	50,8	46,0	15,1	33	1,30	1.1/4"	38	1,50	1.1/2"
T4J-20-20-20	1.1/4"	28, 30, 32	1.5/8" - 12	1.5/8" - 12	1.5/8" - 12	52,3	58,7	52,3	15,9	41	1,61	1.5/8"	50	1,97	2"




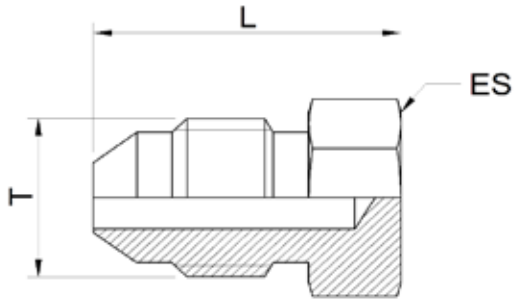
Swivel nut branch tee - Male JIC 37° ends / JIC 37° Female swivel end

CODE	TUBE O.D.		THREAD			DIMENSION (mm)				ES			CH		
	[inch]	[mm]	T1	T2	T3	L1	L2	L3	B	[mm]	[in]		[mm]	[in]	
T5J-04-04-04	1/4"	6	7/16" - 20	7/16" - 20	7/16" - 20	22,6	22,6	25,4	8,7	11	0,43	7/16"	14	0,55	9/16"
T5J-06-06-06	3/8"	10	9/16" - 18	9/16" - 18	9/16" - 18	26,9	26,9	31,8	9,5	14	0,55	9/16"	19	0,75	3/4"
T5J-08-08-08	1/2"	12	3/4" - 16	3/4" - 16	3/4" - 16	31,8	31,8	35,1	10,7	19	0,75	3/4"	22	0,87	7/8"
T5J-10-10-10	5/8"	14, 15, 16	7/8" - 14	7/8" - 14	7/8" - 14	36,8	36,8	41,1	12,7	22	0,87	7/8"	27	1,06	1.1/16"
T5J-12-12-12	3/4"	18, 20	1.1/16" - 12	1.1/16" - 12	1.1/16" - 12	42,2	42,2	30,2	15,1	27	1,06	1.1/16"	32	1,26	1.1/4"
T5J-16-16-16	1"	25	1.5/16" - 12	1.5/16" - 12	1.5/16" - 12	46,0	46,0	50,8	15,1	33	1,30	1.1/4"	38	1,50	1.1/2"
T5J-20-20-20	1.1/4"	28, 30, 32	1.5/8" - 12	1.5/8" - 12	1.5/8" - 12	52,3	52,3	58,7	15,9	41	1,61	1.5/8"	50	1,97	2"




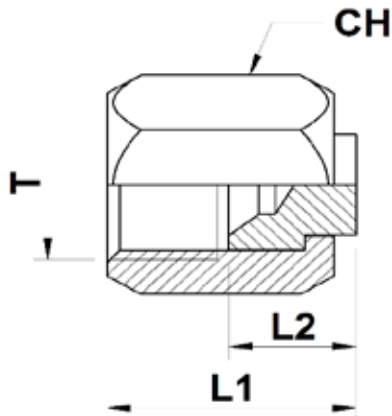
Union cross - Male JIC 37° ends

CODE	TUBE O.D.		THREAD				DIMENSION (mm)				ES		
	[inch]	[mm]	T1	T2	T3	T4	L1	L2	L3	L4	[mm]	[in]	
XAJ-04	1/4"	6	7/16" - 20	7/16" - 20	7/16" - 20	7/16" - 20	22,6	22,6	22,6	22,6	11	0,43	7/16"
XAJ-06	3/8"	10	9/16" - 18	9/16" - 18	9/16" - 18	9/16" - 18	26,9	26,9	26,9	26,9	14	0,55	9/16"
XAJ-08	1/2"	12	3/4" - 16	3/4" - 16	3/4" - 16	3/4" - 16	32,0	32,0	32,0	32,0	19	0,75	3/4"
XAJ-12	3/4"	18, 20	1.1/16" - 12	1.1/16" - 12	1.1/16" - 12	1.1/16" - 12	42,2	42,2	42,2	42,2	27	1,06	1.1/16"



JIC Male 37° end plug


CODE	THREAD	DIMENSION (mm)	ES		
	T	L	[mm]	[in]	 [in]
PAJ-04	7/16" - 20	20,3	12	0,47	1/2"
PAJ-06	9/16" - 18	21,3	17	0,67	11/16"
PAJ-08	3/4" - 16	23,9	22	0,87	7/8"
PAJ-10	7/8" - 14	27,9	24	0,94	15/16"
PAJ-12	1.1/16" - 12	32,5	27	1,06	1.1/16"
PAJ-16	1.5/16" - 12	33,8	36	1,42	1.7/16"
PAJ-20	1.5/8" - 12	36,8	46	1,81	1.3/16"
PAJ-32	2.1/2" - 12	52	65	2,56	2.9/16"

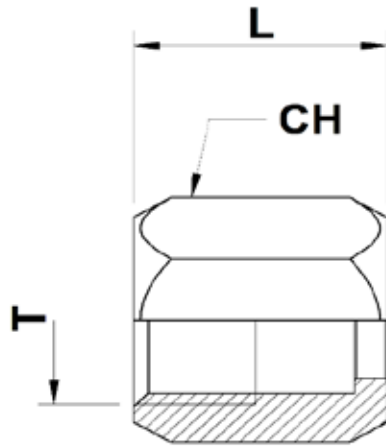


JIC 37° Female swivel cap




2 or 4 points punched to avoid cap slip off)

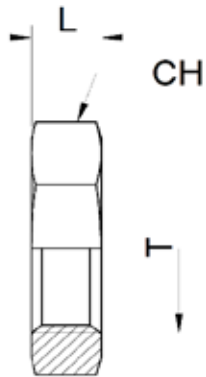
CODE	TUBE O.D.		THREAD	DIMENSION (mm)		CH		
	[inch]	[mm]	T	L1	L2	[mm]	[in]	 [in]
CJX-04	1/4"	6	7/16" - 20	17,0	8,7	14	0,55	9/16"
CJX-05	5/16"	8	1/2" - 20	21,7	10,3	17	0,67	11/16"
CJX-06	3/8"	10	9/16" - 18	20,4	11,9	19	0,75	3/4"
CJX-08	1/2"	12	3/4" - 16	23,9	13,5	22	0,87	7/8"
CJX-10	5/8"	14, 15, 16	7/8" - 14	27,2	13,5	27	1,06	1.1/16"
CJX-12	3/4"	18, 20	1.1/16" - 12	31,7	16,7	32	1,26	1.1/4"
CJX-20	1.1/4"	28, 30, 32	1.5/8" - 12	35,4	19,1	50	1,97	2"
CJX-24	1.1/2"	35, 38	1.7/8" - 12	43,2	23,8	60	2,36	2.3/8"




DJIC3V

JIC Nut

CODE	TUBE O.D.		THREAD	DIMENSION (mm)		CH	
	[inch]	[mm]	T	L	[mm]	[in]	 [in]
DJIC3-06V00	3/8"	10	9/16" - 18	18,5	19	0,75	3/4"
DJIC3-08V00	1/2"	12	3/4" - 16	21,6	22	0,87	7/8"
DJIC3-10V00	5/8"	14, 15, 16	7/8" - 14	24,9	27	1,06	1.1/16"
DJIC3-12V00	3/4"	18, 20	1.1/16" - 12	26,2	32	1,26	1.1/4"
DJIC3-16V00	1"	25	1.5/16" - 12	28,7	41	1,61	1.5/8"
DJIC3-20V00	1.1/4"	28, 30, 32	1.5/8" - 12	31,2	50	1,97	2"
DJIC3-24V00	1.1/2"	35, 38	1,7/8" - 12	36,0	60	2,36	2.3/8"



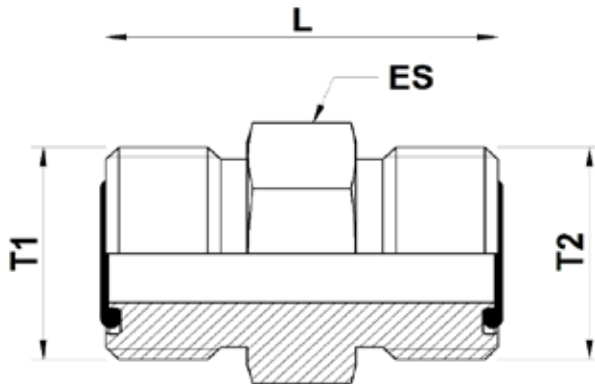
JIC Locknut

CODE	THREAD	DIMENSION (mm)	CH		
	T	L	[mm]	[in]	 [in]
CJIC-0600	9/16" - 18	6,9	22	0,87	7/8"
CJIC-0800	3/4" - 16	7,9	24	0,94	15/16"




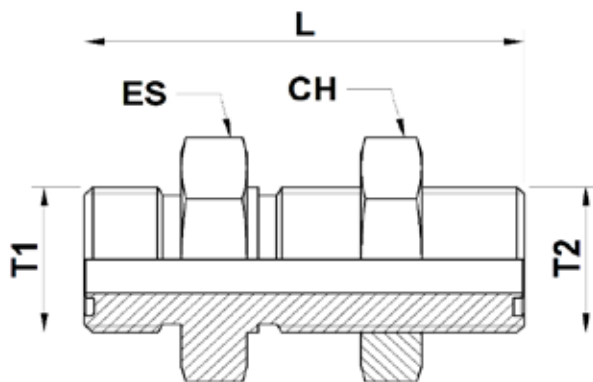
ORFS

SERIES




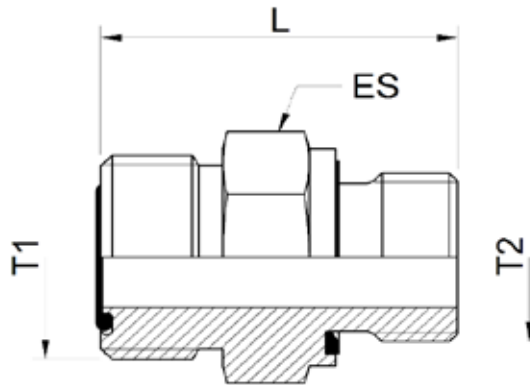
Union Male ORFS ends

CODE	TUBE O.D.		THREAD		DIMENSION (mm)	ES		
	[inch]	[mm]	T1	T2	L	[mm]	[in]	
AOO-04-04	1/4"	6	9/16" - 18	9/16" - 18	27,4	17	0,67	11/16"
AOO-06-04	3/8"	10	11/16" - 16	9/16" - 18	29,7	19	0,75	3/4"
AOO-06-06	3/8"	10	11/16" - 16	11/16" - 16	31,0	19	0,75	3/4"
AOO-08-06	1/2"	12	13/16" - 16	11/16" - 16	33,8	22	0,87	7/8"
AOO-08-08	1/2"	12	13/16" - 16	13/16" - 16	35,5	22	0,87	7/8"
AOO-10-08	5/8"	14, 15, 16	1" - 14	13/16" - 16	40,0	27	1,06	1.1/16"
AOO-10-10	5/8"	14, 15, 16	1" - 14	1" - 14	42,5	27	1,06	1.1/16"
AOO-12-12	3/4"	18, 20	1.3/16" - 12	1.3/16" - 12	47,2	32	1,26	1.1/4"
AOO-16-12	1"	25	1.7/16" - 12	1.3/16" - 12	48,8	41	1,61	1.5/8"
AOO-16-16	1"	25	1.7/16" - 12	1.7/16" - 12	49,3	41	1,61	1.5/8"




Bulkhead union ORFS ends (complete with locknut)

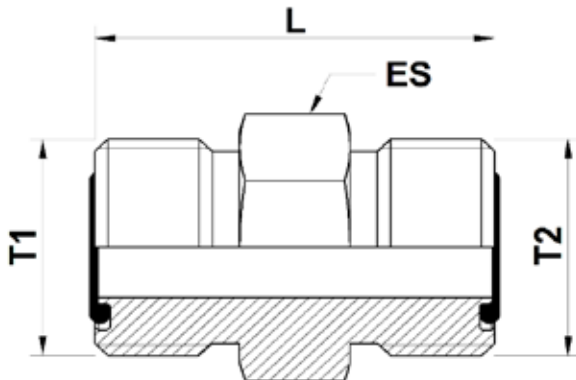
CODE	TUBE O.D.		THREAD		DIMENSION (mm)	ES		
	[inch]	[mm]	T1	T2	L	[mm]	[in]	 [in]
AOP-04-04	1/4"	6	9/16" - 18	9/16" - 18	48,3	22	0,87	7/8"
AOP-06-06	3/8"	10	11/16" - 16	11/16" - 16	53,1	27	1,06	1.1/16"
AOP-08-08	1/2"	12	13/16" - 16	13/16" - 16	58,0	30	1,18	1.3/16"
AOP-10-08	5/8"	14, 15, 16	1" - 14	13/16" - 16	62,5	30	1,18	1.3/16"
AOP-10-10	5/8"	14, 15, 16	1" - 14	1" - 14	66,6	36	1,42	1.7/16"
AOP-12-12	3/4"	18, 20	1.3/16" - 12	1.3/16" - 12	69,1	41	1,61	1.5/8"
AOP-16-16	1"	25	1.7/16" - 12	1.7/16" - 12	70,0	46	1,81	1.13/16"



(*) Dimensions to be confirmed.

Male stud connector - Male ORFS / Male BSPP thread – ED seal (ISO 1179-2)

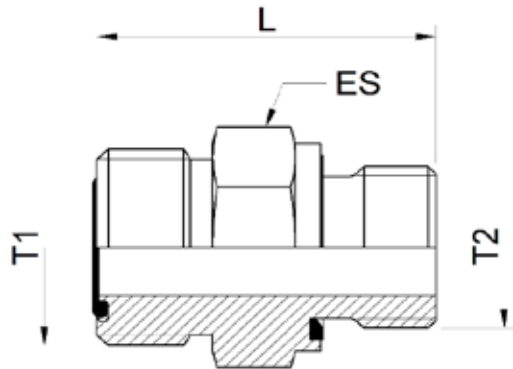
CODE	TUBE O.D.		THREAD		DIMENSION (mm)	ES		
	[inch]	[mm]	T1	T2	L	[mm]	[in]	 [in]
AOB-04-04	1/4"	6	9/16" - 18	1/4"-19	31,0	19	0,75	3/4"
AOB-04-06	1/4"	6	9/16" - 18	3/8"-19	31,8	22	0,87	7/8"
AOB-04-08	1/4"	6	9/16" - 18	1/2" - 14	35,0	27	1,06	1.1/16"
AOB-06-02	3/8"	10	11/16" - 16	1/8" - 28	28,0	19	0,75	3/4"
AOB-06-04	3/8"	10	11/16" - 16	1/4"-19	32,0	19	0,75	3/4"
AOB-06-06	3/8"	10	11/16" - 16	3/8"-19	33,5	22	0,87	7/8"
AOB-06-08	3/8"	10	11/16" - 16	1/2" - 14	38,5	27	1,06	1.1/16"
AOB-08-02	1/2"	12	13/16" - 16	1/8" - 28	35,0	22	0,87	7/8"
AOB-08-04	1/2"	12	13/16" - 16	1/4"-19	35,0	22	0,87	7/8"
AOB-08-06	1/2"	12	13/16" - 16	3/8"-19	35,3	22	0,87	7/8"
AOB-08-08	1/2"	12	13/16" - 16	1/2" - 14	39,0	27	1,06	1.1/16"
AOB-08-12	1/2"	12	13/16" - 16	3/4"-14	41,8	32	1,26	1.1/4"
AOB-10-08	5/8"	14, 15, 16	1" - 14	1/2"-14	41,0	27	1,06	1.1/16"
AOB-10-10	5/8"	14, 15, 16	1" - 14	5/8" - 14	41,5	30	1,18	1.3/16"
AOB-10-12	5/8"	14, 15, 16	1" - 14	3/4"-14	45,0	32	1,26	1.1/4"
AOB-12-08	3/4"	18, 20	1.3/16" - 12	1/2" - 14	44,5	32	1,26	1.1/4"
AOB-12-12	3/4"	18, 20	1.3/16" - 12	3/4"-14	46,5	32	1,26	1.1/4"
AOB-12-16	3/4"	18, 20	1.3/16" - 12	1" - 11	49,0	41	1,61	1.5/8"
AOB-12-20	3/4"	18, 20	1.3/16" - 12	1.1/4" - 11	53,0	50	1,97	2"
AOB-16-12	1"	25	1.7/16" - 12	3/4" - 14	48,0	41	1,61	1.5/8"
AOB-16-16	1"	25	1.7/16" - 12	1" - 11	50,0	41	1,61	1.5/8"
AOB-16-20	1"	25	1.7/16" - 12	1.1/4" - 11	54,0	50	1,97	2"




(*) Dimensions to be confirmed.

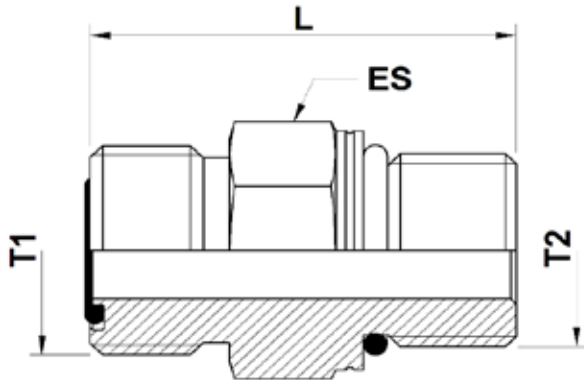
Male stud connector - Male ORFS / Male UN/UNF thread – O-ring (ISO 11926)

CODE	TUBE O.D.		THREAD		DIMENSION (mm)	ES		
	[inch]	[mm]	T1	T2	L	[mm]	[in]	[in]
AOE-04-04	1/4"	6	9/16"-18	7/16"-20	28,8	16	0,63	5/8"
AOE-04-06	1/4"	6	9/16"-18	9/16" - 18	30,5	19	0,75	3/4"
AOE-06-04	3/8"	10	11/16"-16	7/16"-20	34,1	19	0,75	3/4"
AOE-06-06	3/8"	10	11/16"-16	9/16" - 18	31,8	19	0,75	3/4"
AOE-06-08	3/8"	10	11/16"-16	3/4"-16	35,1	22	0,87	7/8"
AOE-08-08	1/2"	12	13/16"-16	3/4"-16	36,6	22	0,87	7/8"
AOE-08-10	1/2"	12	13/16"-16	7/8"-14	40,5	27	1,06	1.1/16"
AOE-10-08	5/8"	14, 15, 16	1"-14	3/4"-16	45,2	27	1,06	1.1/16"
AOE-10-10	5/8"	14, 15, 16	1"-14	7/8"-14	43,1	27	1,06	1.1/16"
AOE-10-12	5/8"	14, 15, 16	1"-14	1.1/16" - 12	47,2	32	1,26	1.1/4"
AOE-12-08	3/4"	20	1.3/16" - 12	3/4"-16	48,5	32	1,26	1.1/4"



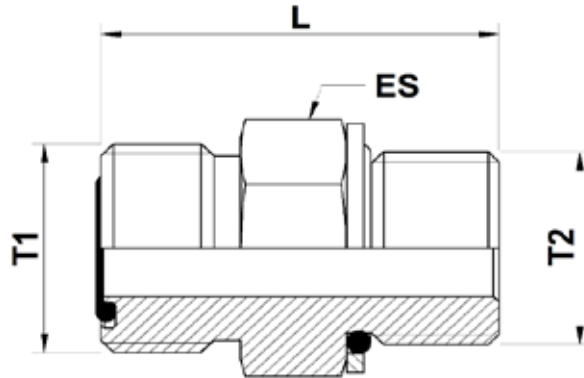
Male stud connector - Male ORFS / Male metric thread – ED seal (ISO 9974-2)

CODE	TUBE O.D.		THREAD		DIMENSION (mm)	ES		
	[inch]	[mm]	T1	T2	L	[mm]	[in]	
AOM-04-10	1/4"	6	9/16" - 18	M10 x 1,5	27,5	17	0,67	11/16"
AOM-04-14	1/4"	6	9/16" - 18	M14 x 1,5	31,0	19	0,75	3/4"
AOM-06-12	3/8"	10	11/16" - 16	M12 x 1,5	35,0	19	0,75	3/4"
AOM-06-14	3/8"	10	11/16" - 16	M14 x 1,5	31,0	19	0,75	3/4"
AOM-06-16	3/8"	10	11/16" - 16	M16 x 1,5	32,0	22	0,87	7/8"
AOM-06-18	3/8"	10	11/16" - 16	M18 x 1,5	33,0	24	0,94	15/16"
AOM-08-18	1/2"	12	13/16" - 16	M18 x 1,5	35,0	24	0,94	15/16"
AOM-08-26	1/2"	12	13/16" - 16	M26 x 1,5	45,0	32	1,26	1.1/4"
AOM-08-27	1/2"	12	13/16" - 16	M27 x 2	45,0	32	1,26	1.1/4"
AOM-10-16	5/8"	14, 15, 16	1" - 14	M16 x 1,5	42,0	27	1,06	1.1/16"
AOM-10-27	5/8"	14, 15, 16	1" - 14	M27 x 2	46,0	32	1,26	1.1/4"
AOM-12-22	3/4"	18, 20	1.3/16" - 12	M22 x 1,5	45,0	32	1,26	1.1/4"
AOM-12-26	3/4"	18, 20	1.3/16" - 12	M26 x 1,5	46,0	32	1,26	1.1/4"
AOM-12-27	3/4"	18, 20	1.3/16" - 12	M27 x 2	47,5	32	1,26	1.1/4"
AOM-16-26	1"	25	1.7/16" - 12	M26 x 1,5	48,0	41	1,61	1.5/8"



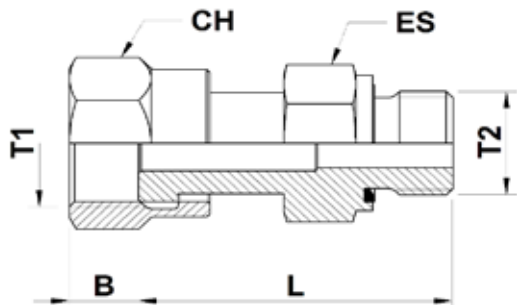
Male stud connector - Male ORFS / Male metric thread – O-ring (ISO 6149)

CODE	TUBE O.D.		THREAD		DIMENSION (mm)	ES		
	[inch]	[mm]	T1	T2	L	[mm]	[in]	[in]
AOM1-04-10	1/4"	6	9/16" - 18	M10 x 1,5	27,0	17	0,67	11/16"
AOM1-04-12	1/4"	6	9/16" - 18	M12 x 1,5	28,5	17	0,67	11/16"
AOM1-04-14	1/4"	6	9/16" - 18	M14 x 1,5	29,5	19	0,75	3/4"
AOM1-06-14	3/8"	10	11/16" - 16	M14 x 1,5	32,0	19	0,75	3/4"
AOM1-06-18	3/8"	10	11/16" - 16	M18 x 1,5	36,0	24	0,94	15/16"
AOM1-06-22	3/8"	10	11/16" - 16	M22 x 1,5	37,5	27	1,06	1.1/16"
AOM1-08-14	1/2"	12	13/16" - 16	M14 x 1,5	35,0	22	0,87	7/8"
AOM1-08-22	1/2"	12	13/16" - 16	M22 x 1,5	39,5	27	1,06	1.1/16"
AOM1-10-22	5/8"	14, 15, 16	1" - 14	M22 x 1,5	42,0	27	1,06	1.1/16"
AOM1-12-22	3/4"	18, 20	1.3/16" - 12	M22 x 1,5	45,0	32	1,26	1.1/4"
AOM1-12-27	3/4"	18, 20	1.3/16" - 12	M27 x 2	49,0	32	1,26	1.1/4"
AOM1-12-33	3/4"	18, 20	1.3/16" - 12	M33 x 2	51,5	41	1,61	1.5/8"
AOM1-12-48	3/4"	18, 20	1.3/16" - 12	M48 x 2	52,0	55	2,16	2.3/16"
AOM1-16-22	1"	25	1.7/16" - 12	M22 x 1,5	48,5	41	1,61	1.5/8"



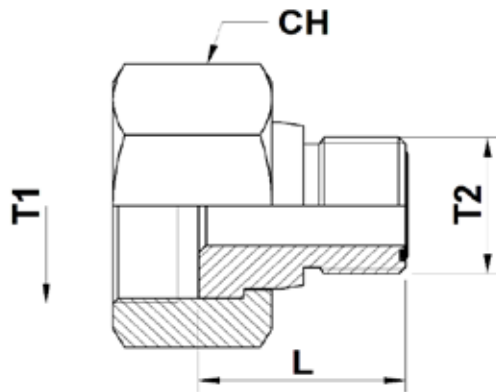
Male stud connector - Male ORFS / Male metric thread – O-ring + retaining ring

CODE	TUBE O.D.		THREAD		DIMENSION (mm)	ES		
	[inch]	[mm]	T1	T2	L	[mm]	[in]	[in]
AOMR-04-12	1/4"	6	9/16" - 18	M12 x 1,5	28,5	17	0,67	11/16"
AOMR-04-14	1/4"	6	9/16" - 18	M14 x 1,5	29,5	19	0,75	3/4"
AOMR-06-14	3/8"	10	11/16" - 16	M14 x 1,5	32,0	19	0,75	3/4"
AOMR-06-16	3/8"	10	11/16" - 16	M16 x 1,5	33,5	22	0,87	7/8"
AOMR-08-18	1/2"	12	13/16" - 16	M18 x 1,5	38,0	24	0,94	15/16"
AOMR-08-22	1/2"	12	13/16" - 16	M22 x 1,5	39,5	27	1,06	1.1/16"
AOMR-12-27	3/4"	18, 20	1.3/16" - 12	M27 x 2	48,5	32	1,26	1.1/4"



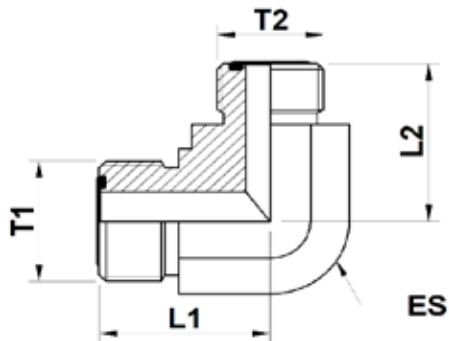
ORFS Female swivel end / Male BSPP end – ED seal (ISO 1179-2)

CODE	TUBE O.D.		THREAD		DIMENSION (mm)		ES			CH		
	[inch]	[mm]	T1	T2	L	B	[mm]	[in]	[in]	[mm]	[in]	[in]
GOB-04-04	1/4"	6	9/16" - 18	1/4" - 19	38,0	8,0	19	0,75	3/4"	17	0,67	11/16"
GOB-06-04	3/8"	10	11/16" - 16	1/4" - 19	40,0	8,5	19	0,75	3/4"	22	0,87	7/8"
GOB-06-06	3/8"	10	11/16" - 16	3/8" - 19	40,0	8,5	22	0,87	7/8"	22	0,87	7/8"
GOB-08-04	1/2"	12	13/16" - 16	1/4" - 19	47,0	10,3	19	0,75	3/4"	24	0,94	15/16"
GOB-08-06	1/2"	12	13/16" - 16	3/8" - 19	47,0	10,3	22	0,87	7/8"	24	0,94	15/16"
GOB-08-08	1/2"	12	13/16" - 16	1/2" - 14	49,0	10,3	27	1,06	1.1/16"	24	0,94	15/16"
GOB-10-08	5/8"	14, 15, 16	1" - 14	1/2" - 14	52,0	12,2	27	1,06	1.1/16"	30	1,18	1.3/16"
GOB-12-08	3/4"	18, 20	1.3/16" - 12	1/2" - 14	55,0	13,5	27	1,06	1.1/16"	36	1,42	1.7/16"
GOB-12-12	3/4"	18, 20	1.3/16" - 12	3/4" - 14	57,0	13,5	32	1,26	1.1/4"	36	1,42	1.7/16"




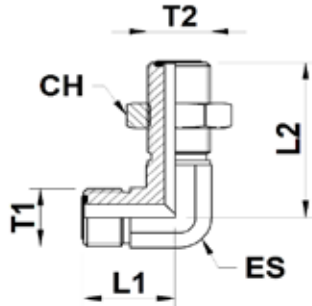
Reducer - ORFS Swivel Female end / ORFS Male end - type B

CODE	TUBE O.D.		THREAD		DIMENSION (mm)	CH		
	[inch]	[mm]	T1	T2	L	[mm]	[in]	[in]
DOOB-06-04	3/8"	10	11/16" - 16	9/16" - 18	19,5	22	0,87	7/8"
DOOB-08-04	1/2"	12	13/16" - 16	9/16" - 18	22,0	24	0,94	15/16"
DOOB-08-06	1/2"	12	13/16" - 16	11/16" - 16	22,5	24	0,94	15/16"
DOOB-10-04	5/8"	14, 15, 16	1" - 14	9/16" - 18	23,0	30	1,18	1.3/16"
DOOB-10-08	5/8"	14, 15, 16	1" - 14	13/16" - 16	25,5	30	1,18	1.3/16"





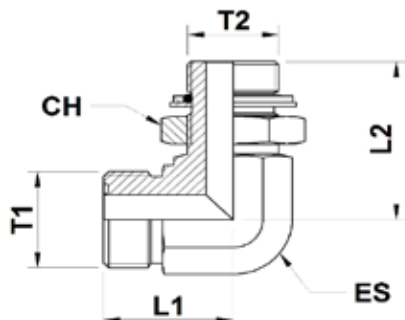
90° Union elbow - ORFS Male ends

CODE	TUBE O.D.		THREAD		DIMENSION (mm)		ES		
	[inch]	[mm]	T1	T2	L1	L2	[mm]	[in]	 [in]
LA00-04-04	1/4"	6	9/16" - 18	9/16" - 18	21,5	21,5	14	0,55	9/16"
LA00-06-06	3/8"	10	11/16" - 16	11/16" - 16	25	25	17	0,67	11/16"
LA00-08-08	1/2"	12	13/16" - 16	13/16" - 16	28	28	19	0,75	3/4"
LA00-10-08	5/8"	14, 15, 16	1" - 14	13/16" - 16	33,5	33,5	27	1,06	1.1/16"
LA00-10-10	5/8"	14, 15, 16	1" - 14	1" - 14	33,5	33,5	27	1,06	1.1/16"
LA00-12-12	3/4"	18, 20	1.3/16" - 12	1.3/16" - 12	37,5	37,5	30	1,18	1.3/16"





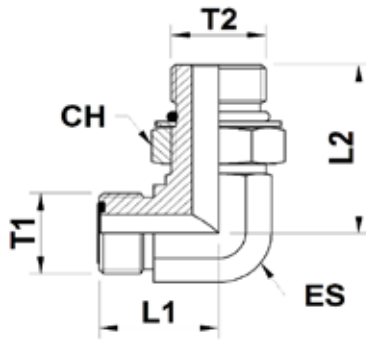
90° Bulkhead union elbow - ORFS ends

CODE	TUBE O.D.		THREAD		DIMENSION (mm)		ES			CH		
	[inch]	[mm]	T1	T2	L1	L2	[mm]	[in]	 [in]	[mm]	[in]	 [in]
LAOOP-04-04	1/4"	6	9/16" - 18	9/16" - 18	22,5	47	14	0,55	9/16"	22	0,87	7/8"
LAOOP-06-06	3/8"	10	11/16" - 16	11/16" - 16	26	52	17	0,67	11/16"	27	1,06	1.1/16"
LAOOP-08-08	1/2"	12	13/16" - 16	13/16" - 16	29	55,4	19	0,75	3/4"	30	1,18	1.3/16"
LAOOP-10-10	5/8"	14, 15, 16	1" - 14	1" - 14	34,5	63	27	1,06	1.1/16"	36	1,42	1.7/16"
LAOOP-12-12	3/4"	18, 20	1.3/16" - 12	1.3/16" - 12	38,5	67,2	30	1,18	1.3/16"	41	1,61	1.5/8"



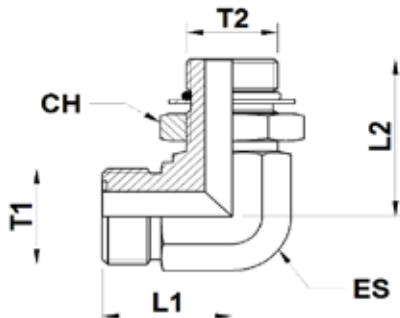
90° Male stud elbow - ORFS Male / Adjustable BSPP end O-ring + retaining ring (ISO 1179-3)

CODE	TUBE O.D.		THREAD		DIMENSION (mm)		ES			CH		
	[inch]	[mm]	T1	T2	L1	L2	[mm]	[in]	 [in]	[mm]	[in]	 [in]
LAOBR-04-02	1/4"	6	9/16" - 18	1/8" - 28	21,5	30	14	0,55	9/16"	14	0,55	9/16"
LAOBR-04-04	1/4"	6	9/16" - 18	1/4" - 19	23,5	35	14	0,55	9/16"	19	0,75	3/4"
LAOBR-06-04	3/8"	10	11/16" - 16	1/4" - 19	25	36	19	0,75	3/4"	19	0,75	3/4"
LAOBR-06-06	3/8"	10	11/16" - 16	3/8" - 19	26,5	38	19	0,75	3/4"	22	0,87	7/8"
LAOBR-06-08	3/8"	10	11/16" - 16	1/2" - 14	29,5	48	22	0,87	7/8"	27	1,06	1.1/16"
LAOBR-08-04	1/2"	12	13/16" - 16	1/4" - 19	28	35	19	0,75	3/4"	19	0,75	3/4"
LAOBR-08-06	1/2"	12	13/16" - 16	3/8" - 19	28	38	19	0,75	3/4"	22	0,87	7/8"
LAOBR-08-12	1/2"	12	13/16" - 16	3/4" - 14	33,5	49,3	27	1,06	1.1/16"	36	1,42	1.7/16"
LAOBR-10-06	5/8"	14, 15, 16	1" - 14	3/8" - 19	33,5	43	27	1,06	1.1/16"	22	0,87	7/8"



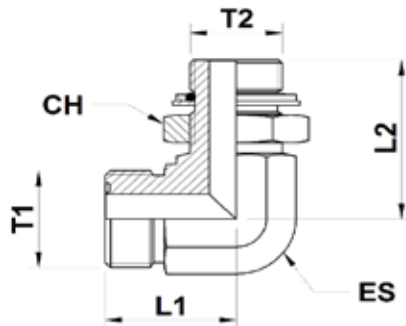
90° Male stud elbow - ORFS male / Adjustable UN/UNF end – O-ring (ISO 11926)

CODE	TUBE O.D.		THREAD		DIMENSION (mm)		ES			CH		
	[inch]	[mm]	T1	T2	L1	L2	[mm]	[in]	[in]	[mm]	[in]	[in]
LAOE-04-04	1/4"	6	9/16" - 18	7/16" - 20	21.6	32.8	14	0,55	9/16"	17	0,67	11/16"
LAOE-04-06	1/4"	6	9/16" - 18	9/16" - 18	23.4	36.8	19	0,75	3/4"	19	0,75	3/4"
LAOE-06-06	3/8"	10	11/16" - 16	9/16" - 18	24.9	36.8	19	0,75	3/4"	19	0,75	3/4"
LAOE-06-08	3/8"	10	11/16" - 16	3/4" - 16	26.4	40.6	19	0,75	3/4"	24	0,94	15/16"
LAOE-08-06	1/2"	12	13/16" - 16	9/16" - 18	28	36.6	19	0,75	3/4"	19	0,75	3/4"
LAOE-08-08	1/2"	12	13/16" - 16	3/4" - 16	28	40.6	19	0,75	3/4"	24	0,94	15/16"
LAOE-08-10	1/2"	12	13/16" - 16	7/8" - 14	30.7	50	27	1,06	1.1/16"	27	1,06	1.1/16"
LAOE-10-10	5/8"	14, 15, 16	1" - 14	7/8" - 14	33,3	50	27	1,06	1.1/16"	27	1,06	1.1/16"
LAOE-10-12	5/8"	14, 15, 16	1" - 14	1.1/16" - 12	35.8	55.1	30	1,18	1.3/16"	36	1,42	1.7/16"



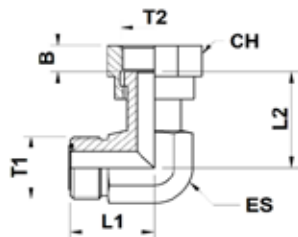
90° Male stud elbow - ORFS male /Adjustable metric end – O-ring (ISO 6149)

CODE	TUBE O.D.		THREAD		DIMENSION (mm)		ES			CH		
	[inch]	[mm]	T1	T2	L1	L2	[mm]	[in]	[in]	[mm]	[in]	[in]
LAOM1-04-12	1/4"	6	9/16" - 18	M12 x 1,5	21,5	32,5	17	0,67	11/16"	17	0,67	11/16"
LAOM1-04-14	1/4"	6	9/16" - 18	M14 x 1,5	24	35,5	17	0,67	11/16"	19	0,75	3/4"
LAOM1-06-12	3/8"	10	11/16" - 16	M12 x 1,5	25	33	19	0,75	3/4"	17	0,67	11/16"
LAOM1-08-14	1/2"	12	13/16" - 16	M14 x 1,5	28	36	19	0,75	3/4"	19	0,75	3/4"
LAOM1-08-18	1/2"	12	13/16" - 16	M18 x 1,5	28	40,5	19	0,75	3/4"	24	0,94	15/16"



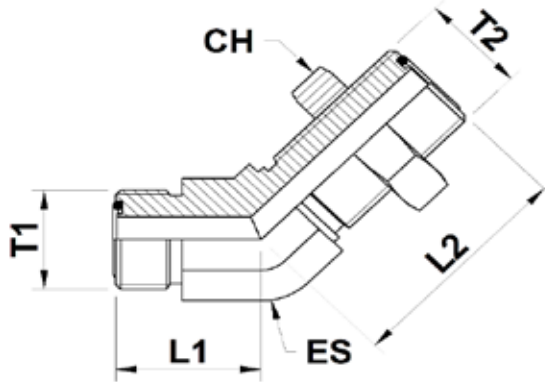
90° Male stud elbow - ORFS male / Male metric end – O-ring + retaining ring

CODE	TUBE O.D.		THREAD		DIMENSION (mm)		ES			CH		
	[inch]	[mm]	T1	T2	L1	L2	[mm]	[in]	[in]	[mm]	[in]	[in]
LAOMR-04-12	1/4"	6	9/16" - 18	M12 x 1,5	21,5	32,5	14	0,55	9/16"	17	0,67	11/16"
LAOMR-04-14	1/4"	6	9/16" - 18	M14 x 1,5	22	37	17	0,67	11/16"	19	0,75	3/4"
LAOMR-06-14	3/8"	10	11/16" - 16	M14 x 1,5	25	37	19	0,75	3/4"	19	0,75	3/4"
LAOMR-06-16	3/8"	10	11/16" - 16	M16 x 1,5	25	37	19	0,75	3/4"	22	0,87	7/8"
LAOMR-08-18	1/2"	12	13/16" - 16	M18 x 1,5	28	41	19	0,75	3/4"	24	0,94	15/16"



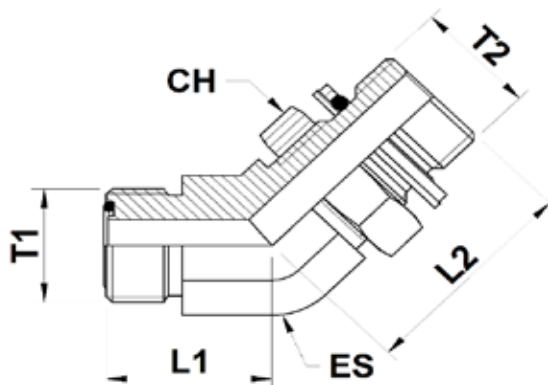
90° Swivel nut elbow - Male ORFS end / Swivel Female ORFS end

CODE	TUBE O.D.		THREAD		DIMENSION (mm)			ES			CH		
	[inch]	[mm]	T1	T2	L1	L2	B	[mm]	[in]	[in]	[mm]	[in]	[in]
LG00-04-04	1/4"	6	9/16" - 18	9/16" - 18	21,6	26,4	8,3	14	0,55	9/16"	17	0,67	11/16"
LG00-06-06	3/8"	10	11/16" - 16	11/16" - 16	24,9	29,2	8,5	19	0,75	3/4"	22	0,87	7/8"
LG00-08-08	1/2"	12	13/16" - 16	13/16" - 16	27,9	37,9	10,3	19	0,75	3/4"	24	0,94	15/16"
LG00-10-10	5/8"	14, 15, 16	1" - 14	1" - 14	33,3	41,2	12,2	27	1,06	1.1/16"	30	1,18	1.3/16"
LG00-12-12	3/4"	18, 20	1.3/16" - 12	1.3/16" - 12	37,3	46,3	13,5	30	1,18	1.3/16"	36	1,42	1.7/16"
LG00-16-16	1"	25	1.7/16" - 12	1.7/16" - 12	41,7	53,3	14,0	36	1,42	1.7/16"	41	1,61	1.5/8"
LG00-20-20	1.1/4"	28, 30, 32	1.11/16" - 12	1.11/16" - 12	44,7	58,2	14,5	41	1,61	1.5/8"	50	1,97	2"



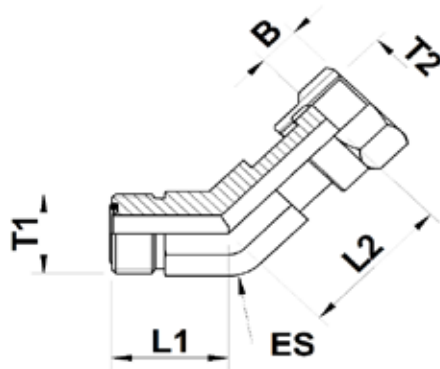
45° Bulkhead union elbow - Male ORFS ends (complete with locknut)

CODE	TUBE O.D.		THREAD		DIMENSION (mm)		ES		
	[inch]	[mm]	T1	T2	L1	L2	[mm]	[in]	[in]
VAOOP-04-04	1/4"	6	9/16" - 18	9/16" - 18	16,0	44,0	14	0,55	9/16"
VAOOP-06-06	3/8"	10	11/16" - 16	11/16" - 16	18,8	48,5	19	0,75	3/4"
VAOOP-08-08	1/2"	12	13/16" - 16	13/16" - 16	20,3	51,0	19	0,75	3/4"
VAOOP-10-10	5/8"	14, 15, 16	1" - 14	1" - 14	23,4	5,6	27	1,06	1.1/16"
VAOOP-12-12	3/4"	18, 20	1.3/16" - 12	1.3/16" - 12	25,9	60,7	30	1,18	1.3/16"
VAOOP-16-16	1"	25	1.7/16" - 12	1.7/16" - 12	30,0	65,3	36	1,42	1.7/16"



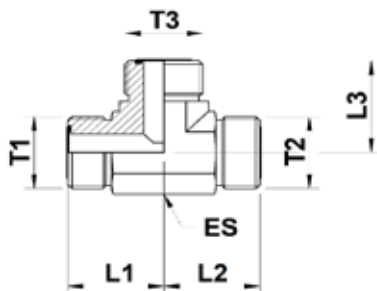
45° Male stud elbow - Male ORFS end / Male BSPP end O-ring + retaining ring (ISO 1179-3)

CODE	TUBE O.D.		THREAD		DIMENSION (mm)		ES		
	[inch]	[mm]	T1	T2	L1	L2	[mm]	[in]	[in]
VAOBR-04-04	1/4"	6	9/16" - 18	1/4" - 19	17,5	31,0	14	0,55	9/16"
VAOBR-06-04	3/8"	10	11/16" - 16	1/4" - 19	19,0	32,0	19	0,75	3/4"
VAOBR-06-06	3/8"	10	11/16" - 16	3/8" - 19	19,0	33,0	19	0,75	3/4"
VAOBR-08-06	1/2"	12	13/16" - 16	3/8" - 19	20,5	33,5	19	0,75	3/4"
VAOBR-10-08	5/8"	14, 15, 16	1" - 14	1/2" - 14	23,5	42,0	27	1,06	1.1/16"
VAOBR-12-12	3/4"	18, 20	1.3/16" - 12	3/4" - 14	26,0	50,0	30	1,18	1.3/16"
VAOBR-16-16	1"	25	1.7/16" - 12	1" - 11	30,0	52,5	36	1,42	1.7/16"




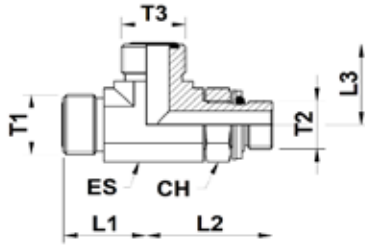
45° Swivel nut elbow - Male ORFS end / Swivel Female ORFS end

CODE	TUBE O.D.		THREAD		DIMENSION (mm)		ES		
	[inch]	[mm]	T1	T2	L1	L2	[mm]	[in]	[in]
VG00-04-04	1/4"	6	9/16" - 18	9/16" - 18	16,0	24,0	14	0,55	9/16"
VG00-06-06	3/8"	10	11/16" - 16	11/16" - 16	19,0	27,0	19	0,75	3/4"
VG00-08-08	1/2"	12	13/16" - 16	13/16" - 16	20,5	33,5	19	0,75	3/4"
VG00-10-10	5/8"	14, 15, 16	1" - 14	1" - 14	23,5	36,5	27	1,06	1.1/16"
VG00-12-12	3/4"	18, 20	1.3/16" - 12	1.3/16" - 12	26,0	37,6	30	1,18	1.3/16"
VG00-16-16	1"	25	1.7/16" - 12	1.7/16" - 12	30,0	38,6	36	1,42	1.7/16"



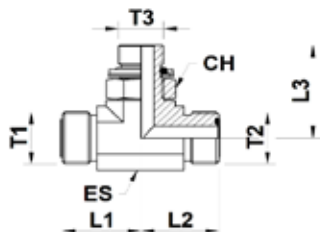
Union tee - Male ORFS ends

CODE	TUBE O.D. T1/T2		TUBE O.D. T3		THREAD			DIMENSION (mm)			ES		
	[inch]	[mm]	[inch]	[mm]	T1	T2	T3	L1	L2	L3	[mm]	[in]	
T10-04-04-04	1/4"	6	1/4"	6	9/16" - 18	9/16" - 18	9/16" - 18	21,6	21,6	21,6	14	0,55	9/16"
T10-06-06-06	3/8"	10	3/8"	10	11/16" - 16	11/16" - 16	11/16" - 16	24,9	24,9	24,9	19	0,75	3/4"
T10-08-08-08	1/2"	12	1/2"	12	13/16" - 16	13/16" - 16	13/16" - 16	27,9	27,9	27,9	19	0,75	3/4"
T10-10-10-10	5/8"	14, 15, 16	5/8"	14, 15, 16	1" - 14	1" - 14	1" - 14	33,3	33,3	33,3	27	1,06	1.1/16"





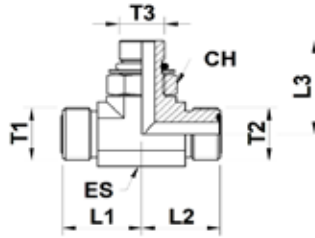
Male stud run tee - Male ORFS ends / Adjustable BSPP end O-ring + retaining ring (ISO 1179-3)

CODE	TUBE O.D.		THREAD			DIMENSION (mm)			ES			CH		
	[inch]	[mm]	T1	T2	T3	L1	L2	L3	[mm]	[in]	[in]	[mm]	[in]	[in]
T2OBR-04-04-04	1/4"	6	9/16" - 18	1/4" - 19	9/16" - 18	23,5	35,0	23,5	14	0,55	9/16"	19	0,75	3/4"
T2OBR-06-04-06	3/8"	10	11/16" - 16	1/4" - 19	11/16" - 16	25,0	36,0	25	19	0,75	3/4"	19	0,75	3/4"
T2OBR-06-06-06	3/8"	10	11/16" - 16	3/8" - 19	11/16" - 16	26,5	38,0	26,5	19	0,75	3/4"	22	0,87	7/8"
T2OBR-08-06-08	1/2"	12	13/16" - 16	3/8" - 19	13/16" - 16	28,0	38,0	28	19	0,75	3/4"	22	0,87	7/8"
T2OBR-08-08-08	1/2"	12	13/16" - 16	1/2" - 14	13/16" - 16	31,0	48,0	31	22	0,87	7/8"	27	1,06	1.1/16"
T2OBR-10-08-10	5/8"	14, 15, 16	1" - 14	1/2" - 14	1" - 14	33,5	48,0	33,5	27	1,06	1.1/16"	27	1,06	1.1/16"
T2OBR-12-12-12	3/4"	18, 20	1.3/16" - 12	3/4" - 14	1.3/16" - 12	37,5	51,5	37,5	30	1,18	1.3/16"	36	1,42	1.7/16"
T2OBR-20-20-20	1.1/4"	28, 30, 32	1.11/16" - 12	1.1/4" - 11	1.11/16" - 12	45,0	60,5	45,0	41	1,61	1.5/8"	50	1,97	2"
T2OBR-24-24-24	1.1/2"	35,38	2" - 12	2" - 12	2.1/2" - 12	49,0	64,5	49,0	48	1,89	1.7/8"	55	2,16	2.3/16"



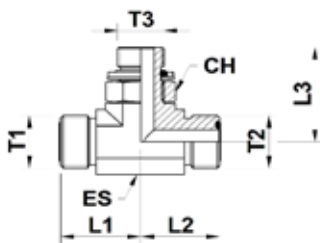
Male stud branch tee - Male ORFS ends / Adjustable BSPP end O-ring + retaining ring (ISO 1179-3)

CODE	TUBE O.D.		THREAD			DIMENSION (mm)			ES			CH		
	[inch]	[mm]	T1	T2	T3	L1	L2	L3	[mm]	[in]	 [in]	[mm]	[in]	 [in]
T30BR-04-04-04	1/4"	6	9/16" - 18	9/16" - 18	1/4" - 19	23,5	23,5	35	14	0,55	9/16"	19	0,75	3/4"
T30BR-06-06-04	3/8"	10	11/16" - 16	11/16" - 16	1/4" - 19	25	25,0	36	14	0,55	9/16"	19	0,75	3/4"
T30BR-06-06-06	3/8"	10	11/16" - 16	11/16" - 16	3/8" - 19	26,5	26,5	38	19	0,75	3/4"	22	0,87	7/8"
T30BR-08-08-06	1/2"	12	13/16" - 16	13/16" - 16	3/8" - 19	28	28,0	38	19	0,75	3/4"	22	0,87	7/8"
T30BR-08-08-08	1/2"	12	13/16" - 16	13/16" - 16	1/2" - 14	31,0	31,0	48	22	0,87	7/8"	27	1,06	1.1/16"
T30BR-10-10-08	5/8"	14, 15, 16	1" - 14	1" - 14	1/2" - 14	33,5	33,5	48	27	1,06	1.1/16"	27	1,06	1.1/16"
T30BR-12-12-12	3/4"	18, 20	1.3/16" - 12	1.3/16" - 12	3/4" - 14	37,5	37,5	51,5	30	1,18	1.3/16"	36	1,42	1.7/16"
T30BR-20-20-20	1.1/4"	28, 30, 32	1.11/16" - 12	1.11/16" - 12	1.1/4" - 11	45,0	45,0	60,5	41	1,61	1.5/8"	50	1,97	2"
T30BR-24-24-24	1.1/2"	35,38	2" - 12	2" - 12	1.1/2" - 11	49,0	49,0	64,5	48	1,89	1.7/8"	55	2,16	2.3/16"



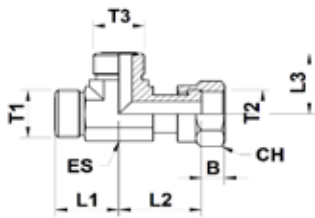
Male stud branch tee - Male ORFS ends / Adjustable metric end – O-ring (ISO 6149)

CODE	TUBE O.D.		THREAD			DIMENSION (mm)			ES			CH		
	[inch]	[mm]	T1	T2	T3	L1	L2	L3	[mm]	[in]		[mm]	[in]	
T30M1-04-04-12	1/4"	6	9/16" - 18	9/16" - 18	M12 x 1,5	21,5	21,5	32,5	14	0,55	9/16"	17	0,67	11/16"
T30M1-06-06-14	3/8"	10	11/16" - 16	11/16" - 16	M14 x 1,5	25	25,0	37	19	0,75	3/4"	19	0,75	3/4"
T30M1-08-08-18	1/2"	12	13/16" - 16	13/16" - 16	M18 x 1,5	28	28,0	40,5	19	0,75	3/4"	24	0,94	15/16"
T30M1-10-10-22	5/8"	14, 15, 16	1" - 14	1" - 14	M22 x 1,5	33,5	33,5	50	27	1,06	1.1/16"	27	1,06	1.1/16"
T30M1-12-12-27	3/4"	18, 20	1.3/16" - 12	1.3/16" - 12	M27 x 2	37,5	37,5	55	30	1,18	1.3/16"	32	1,26	1.1/4"
T30M1-16-16-33	1"	25	1.7/16" - 12	1.7/16" - 12	M33 x 2	41,5	41,5	60	36	1,42	1.7/16"	41	1,61	1.5/8"
T30M1-20-20-42	1.1/4"	28, 30, 32	1.11/16" - 12	1.11/16" - 12	M42 x 2	45	45	62	41	1,61	1.5/8"	50	1,97	2"



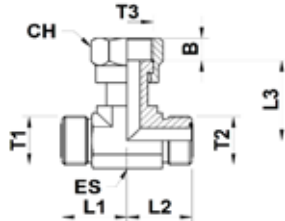
Male stud branch tee - Male ORFS ends / Adjustable Male metric end – O-ring + retaining ring

CODE	TUBE O.D.		THREAD			DIMENSION (mm)			ES			CH		
	[inch]	[mm]	T1	T2	T3	L1	L2	L3	[mm]	[in]		[mm]	[in]	
T3OMR-04-04-12	1/4"	6	9/16" - 18	9/16" - 18	M12 x 1,5	21.5	21.5	32.2	14	0,55	9/16"	17	0,67	11/16"
T3OMR-06-06-16	3/8"	10	11/16" - 16	11/16" - 16	M16 x 1,5	25	25,0	37	19	0,75	3/4"	22	0,87	7/8"
T3OMR-08-08-18	1/2"	12	13/16" - 16	13/16" - 16	M18 x 1,5	28,0	28,0	40.5	19	0,75	3/4"	24	0,94	15/16"
T3OMR-10-10-22	5/8"	14, 15, 16	1" - 14	1" - 14	M22 x 1,5	33.5	33.5	50	27	1,06	1.1/16"	27	1,06	1.1/16"
T3OMR-12-12-27	3/4"	18, 20	1.3/16" - 12	1.3/16" - 12	M27 x 2	37,5	37,5	55,0	30	1,18	1.3/16"	32	1,26	1.1/4"
T3OMR-16-16-33	1"	25	1.7/16" - 12	1.7/16" - 12	M33 x 2	42,0	42,0	60	36	1,42	1.7/16"	41	1,61	1.5/8"
T3OMR-20-20-42	1.1/4"	28, 30, 32	1.11/16" - 12	1.11/16" - 12	M42 x 2	45,0	45,0	62,0	41	1,61	1.5/8"	50	1,97	2"



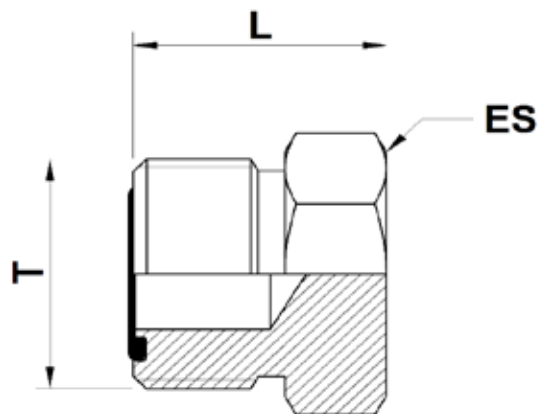
Swivel nut run tee - Male ORFS ends / ORFS Female swivel end

CODE	TUBE O.D.		THREAD			DIMENSION (mm)				ES			CH		
	[inch]	[mm]	T1	T2	T3	L1	L2	L3	B	[mm]	[in]		[mm]	[in]	
T40-04-04-04	1/4"	6	9/16" - 18	9/16" - 18	9/16" - 18	21,6	26,4	21,6	8,3	14	0,55	9/16"	17	0,67	11/16"
T40-06-06-06	3/8"	10	11/16" - 16	11/16" - 16	11/16" - 16	24,9	29,2	24,9	8,5	19	0,75	3/4"	22	0,87	7/8"
T40-08-08-08	1/2"	12	13/16" - 16	13/16" - 16	13/16" - 16	28,0	37,9	28,0	10,3	19	0,75	3/4"	24	0,94	15/16"
T40-10-10-10	5/8"	14, 15, 16	1" - 14	1" - 14	1" - 14	33,3	41,0	33,3	12,2	27	1,06	1.1/16"	30	1,18	1.3/16"
T40-12-12-12	3/4"	18, 20	1.3/16" - 12	1.3/16" - 12	1.3/16" - 12	37,3	46,2	37,3	13,5	30	1,18	1.3/16"	36	1,42	1.7/16"
T40-16-16-16	1"	25	1.7/16" - 12	1.7/16" - 12	1.7/16" - 12	41,7	53,3	41,7	14,0	36	1,42	1.7/16"	41	1,61	1.5/8"



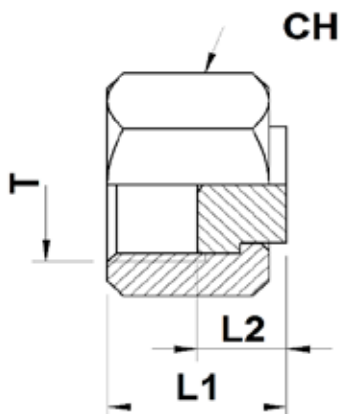
Swivel nut branch tee - Male ORFS ends / ORFS Swivel Female end

CODE	TUBE O.D.		THREAD			DIMENSION (mm)				ES			CH		
	[inch]	[mm]	T1	T2	T3	L1	L2	L3	B	[mm]	[in]		[mm]	[in]	
T50-04-04-04	1/4"	6	9/16" - 18	9/16" - 18	9/16" - 18	21,6	21,6	26,4	8,3	14	0,55	9/16"	17	0,67	11/16"
T50-06-06-06	3/8"	10	11/16" - 16	11/16" - 16	11/16" - 16	25,0	25,0	29,2	9,5	19	0,75	3/4"	22	0,87	7/8"
T50-08-08-08	1/2"	12	13/16" - 16	13/16" - 16	13/16" - 16	25,0	25,0	37,8	10,3	19	0,75	3/4"	24	0,94	15/16"
T50-10-10-10	5/8"	14, 15, 16	1" - 14	1" - 14	1" - 14	33,3	33,3	41,0	12,2	27	1,06	1.1/16"	30	1,18	1.3/16"
T50-12-12-12	3/4"	18, 20	1.3/16" - 12	1.3/16" - 12	1.3/16" - 12	37,3	37,3	46,3	13,5	30	1,18	1.3/16"	36	1,42	1.7/16"
T50-16-16-16	1"	25	1.7/16" - 12	1.7/16" - 12	1.7/16" - 12	41,7	41,7	53,3	14,0	36	1,42	1.7/16"	41	1,61	1.5/8"
T50-20-20-20	1.1/4"	28, 30, 32	1.11/16" - 12	1.11/16" - 12	1.11/16" - 12	44,7	44,7	58,2	14,5	41	1,61	1.5/8"	41	1,61	1.5/8"



Male ORFS plug

CODE	THREAD	DIMENSION (mm)	ES		
	T	L	[mm]	[in]	[in]
PAO-04	9/16" - 18	16,7	17	0,67	11/16"
PAO-06	11/16" - 16	19,0	19	0,75	3/4"
PAO-08	13/16" - 16	21,7	22	0,87	7/8"
PAO-10	1" - 14	25,9	27	1,06	1.1/16"
PAO-12	1.3/16" - 12	27,4	32	1,26	1.1/4"
PAO-16	1.7/16" - 12	27,9	41	1,61	1.5/8"
PAO-20	1.11/16" - 12	27,9	46	1,81	1.13/16"



ORFS Female swivel cap



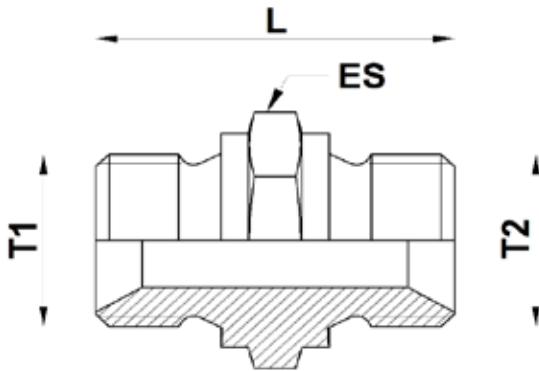
2 or 4 points punched to avoid cap slip off)

CODE	TUBE O.D.		THREAD	DIMENSION (mm)		CH		
	[inch]	[mm]	T	L1	L2	[mm]	[in]	[in]
COX-04	1/4"	6	9/16" - 18	17,0	8,6	19	0,75	3/4"
COX-06	3/8"	10	11/16" - 16	18,9	9,4	22	0,87	7/8"
COX-08	1/2"	12	13/16" - 16	22,9	11,9	24	0,94	15/16"
COX-10	5/8"	14, 15, 16	1" - 14	26,0	13,5	30	1,18	1.3/16"
COX-12	3/4"	18, 20	1.3/16" - 12	28,0	13,5	36	1,42	1.7/16"
COX-16	1"	25	1.7/16" - 12	29,8	15,0	41	1,61	1.5/8"
COX-24	1.1/2"	35, 38	2" - 12	30,0	13,5	60	2,36	2.3/8"




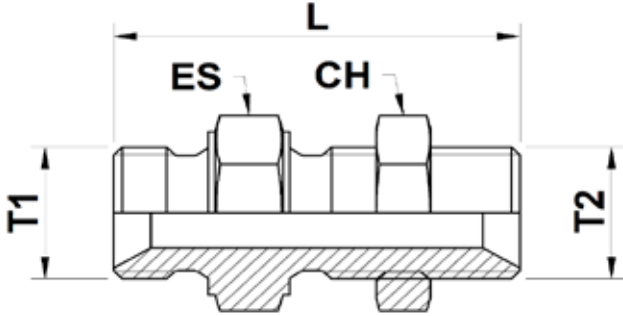
BSP

SERIES





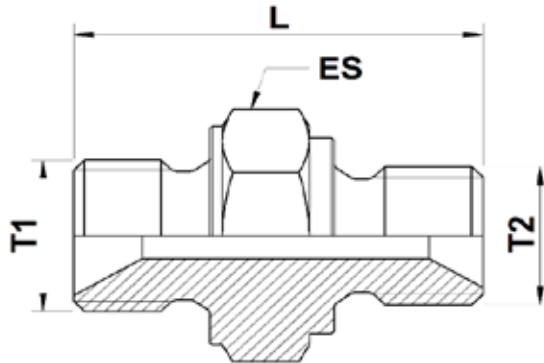
Union BSPP Male 60° Cone ends

CODE	TUBE O.D.		THREAD		DIMENSION (mm)	ES		
	[inch]	[mm]	T1	T2	L	[mm]	[in]	 [in]
ABBDIN-02-02	1/8"	3	1/8" - 28	1/8" - 28	25,0	14	0,55	9/16"
ABBDIN-04-02	1/4"	6	1/4" - 19	1/8" - 28	28,5	19	0,75	3/4"
ABBDIN-04-04	1/4"	6	1/4" - 19	1/4" - 19	32,0	19	0,75	3/4"
ABBDIN-06-02	3/8"	10	3/8" - 19	1/8" - 28	30,0	22	0,87	7/8"
ABBDIN-06-04	3/8"	10	3/8" - 19	1/4" - 19	33,5	22	0,87	7/8"
ABBDIN-06-06	3/8"	10	3/8" - 19	3/8" - 19	35,0	22	0,87	7/8"
ABBDIN-08-04	1/2"	12	1/2" - 14	1/4" - 19	38,0	27	1,06	1.1/16"
ABBDIN-08-08	1/2"	12	1/2" - 14	1/2" - 14	40,0	27	1,06	1.1/16"
ABBDIN-10-08	5/8"	16	5/8" - 14	1/2" - 14	42,0	30	1,18	1,3/16"
ABBDIN-10-10	5/8"	16	5/8" - 14	5/8" - 14	43,0	30	1,18	1,3/16"
ABBDIN-12-04	3/4"	20	3/4" - 14	1/4" - 19	41,0	32	1,26	1.1/4"
ABBDIN-12-06	3/4"	20	3/4" - 14	3/8" - 19	41,0	32	1,26	1.1/4"
ABBDIN-12-08	3/4"	20	3/4" - 14	1/2" - 14	43,5	32	1,26	1.1/4"
ABBDIN-12-10	3/4"	20	3/4" - 14	5/8" - 14	45,5	32	1,26	1.1/4"
ABBDIN-12-12	3/4"	20	3/4" - 14	3/4" - 14	46,0	32	1,26	1.1/4"
ABBDIN-16-06	1"	25	1" - 11	3/8" - 19	46,0	41	1,61	1.5/8"
ABBDIN-16-08	1"	25	1" - 11	1/2" - 14	47,5	41	1,61	1.5/8"
ABBDIN-16-12	1"	25	1" - 11	3/4" - 14	49,5	41	1,61	1.5/8"
ABBDIN-16-16	1"	25	1" - 11	1" - 11	52,5	41	1,61	1.5/8"
ABBDIN-20-08	1.1/4"	28, 30, 32	1.1/4" - 11	1/2" - 14	51,5	50	1,97	2"
ABBDIN-20-12	1.1/4"	28, 30, 32	1.1/4" - 11	3/4" - 14	53,5	50	1,97	2"
ABBDIN-20-16	1.1/4"	28, 30, 32	1.1/4" - 11	1" - 11	56,5	50	1,97	2"
ABBDIN-20-20	1.1/4"	28, 30, 32	1.1/4" - 11	1.1/4" - 11	57,5	50	1,97	2"
ABBDIN-24-12	1.1/2"	38	1.1/2" - 11	3/4" - 14	55,5	55	2,16	2.3/16"



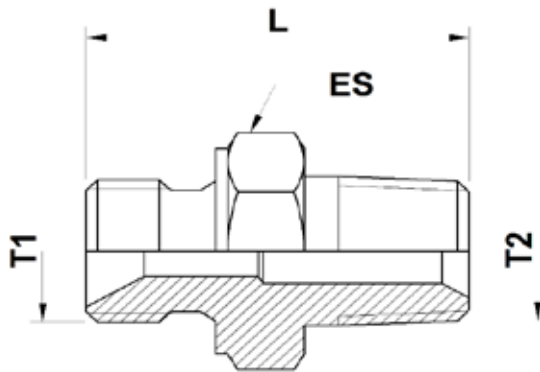
Bulkhead union BSPP 60° Cone ends (complete with locknut)

CODE	TUBE O.D.		THREAD		DIMENSION [mm]	ES			CH		
	[inch]	[mm]	T1	T2		[mm]	[in]	 [in]	[mm]	[in]	 [in]
ABBP-02-02	1/8"	3	1/8"-28	1/8"-28	41,5	14	0,55	9/16"	14	0,55	9/16"
ABBP-04-04	1/4"	6	1/4"-19	1/4"-19	46	19	0,75	3/4"	19	0,75	3/4"
ABBP-06-06	3/8"	10	3/8"-19	3/8"-19	52	22	0,87	7/8"	22	0,87	7/8"
ABBP-06-06L	3/8"	10	3/8"-19	3/8"-19	68	22	0,87	7/8"	22	0,87	7/8"
ABBP-08-08	1/2"	12	1/2"-14	1/2"-14	59	27	1,06	1.1/16"	27	1,06	1.1/16"
ABBP-08-08L	1/2"	12	1/2"-14	1/2"-14	75,5	27	1,06	1.1/16"	27	1,06	1.1/16"
ABBP-12-12	3/4"	20	3/4"-14	3/4"-14	66	32	1,26	1.1/4"	32	1,26	1.1/4"
ABBP-12-12L	3/4"	20	3/4"-14	3/4"-14	85	32	1,26	1.1/4"	32	1,26	1.1/4"
ABBP-16-16	1"	25	1" - 11	1" - 11	75	41	1,61	1.5/8"	41	1,61	1.5/8"




Male stud connector - BSPP 60° Cone end / Male metric thread 60° Cone end

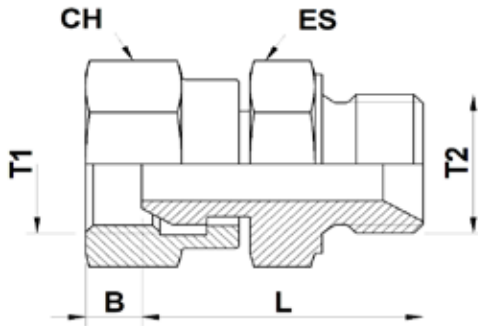
CODE	TUBE O.D.		THREAD		DIMENSION (mm)	ES		
	[inch]	[mm]	T1	T2		L	[mm]	[in]
ABMDIN-04-10	1/4"	6	1/4" - 19	M10 x 1	32	14	0,55	9/16"
ABMDIN-04-12	1/4"	6	1/4" - 19	M12 x 1,5	33,0	19	0,75	3/4"
ABMDIN-04-14	1/4"	6	1/4" - 19	M14 x 1,5	33,0	19	0,75	3/4"
ABMDIN-04-16	1/4"	6	1/4" - 19	M16 x 1,5	33,5	22	0,87	7/8"
ABMDIN-04-18	1/4"	6	1/4" - 19	M18 x 1,5	34,0	24	0,94	15/16"
ABMDIN-06-12	3/8"	10	3/8" - 19	M12 x 1,5	34,0	22	0,87	7/8"
ABMDIN-06-14	3/8"	10	3/8" - 19	M14 x 1,5	34,5	22	0,87	7/8"
ABMDIN-06-16	3/8"	10	3/8" - 19	M16 x 1,5	34,0	22	0,87	7/8"
ABMDIN-06-18	3/8"	10	3/8" - 19	M18 x 1,5	34,0	24	0,94	15/16"
ABMDIN-06-20	3/8"	10	3/8" - 19	M20 x 1,5	36,0	27	1,06	1.1/16"
ABMDIN-06-22	3/8"	10	3/8" - 19	M22 x 1,5	36,0	27	1,06	1.1/16"
ABMDIN-08-16	1/2"	12	1/2" - 14	M16 x 1,5	36,0	27	1,06	1.1/16"
ABMDIN-08-18	1/2"	12	1/2" - 14	M18 x 1,5	36,5	27	1,06	1.1/16"
ABMDIN-08-20	1/2"	12	1/2" - 14	M20 x 1,5	37,0	27	1,06	1.1/16"
ABMDIN-08-22	1/2"	12	1/2" - 14	M22 x 1,5	38,0	27	1,06	1.1/16"
ABMDIN-10-18	5/8"	14, 15, 16	5/8"	M18 x 1,5	40,0	30	1,18	1.3/16"
ABMDIN-10-22	5/8"	14, 15, 16	5/8"	M22 x 1,5	40,0	32	1,26	1.1/4"
ABMDIN-12-18	3/4"	20	3/4" - 14	M18 x 1,5	42,0	32	1,26	1.1/4"
ABMDIN-12-22	3/4"	20	3/4" - 14	M22 x 1,5	44,0	32	1,26	1.1/4"
ABMDIN-12-27	3/4"	20	3/4" - 14	M27 x 1,5	45,0	32	1,26	1.1/4"





(*) Dimensions to be confirmed.

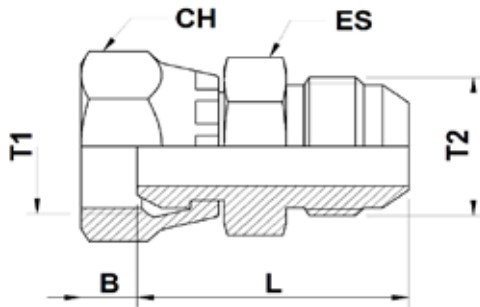
Male stud connector - Male BSPP thread 60° Cone end / Male BSPT thread

CODE	TUBE O.D.		THREAD		DIMENSION (mm)	ES		
	[inch]	[mm]	T1	T2	L	[mm]	[in]	 [in]
ABT-02-02	1/8"	3	1/8"-28	1/8"-28	26,5	14	0,55	9/16"
ABT-04-04	1/4"	6	1/4"-19	1/4"-19	32,5	19	0,75	3/4"
ABT-04-06	1/4"	6	1/4"-19	3/8"-19	34,0	19	0,75	3/4"
ABT-06-04	3/8"	10	3/8"-19	1/4"-19	35,0	22	0,87	7/8"
ABT-06-06	3/8"	10	3/8"-19	3/8"-19	36,0	22	0,87	7/8"
ABT-06-08	3/8"	10	3/8"-19	1/2"-14	41,0	24	0,94	15/16"
ABT-08-04	1/2"	12	1/2"-14	1/4"-19	39,0	27	1,06	1.1/16"
ABT-08-08	1/2"	12	1/2"-14	1/2"-14	44,0	27	1,06	1.1/16"
ABT-08-12	1/2"	12	1/2"-14	3/4"-14	45,0	30	1,18	1.3/16"
ABT-08-16	1/2"	12	1/2"-14	1" - 11	50,5	36	1,42	1.7/16"
ABT-10-10	5/8"	14, 15, 16	5/8"	5/8"	47,0	30	1,18	1.3/16"
ABT-12-08	3/4"	20	3/4"-14	1/2"-14	47,0	32	1,26	1.1/4"
ABT-12-12	3/4"	20	3/4"-14	3/4"-14	45,0	32	1,26	1.1/4"
ABT-12-16	3/4"	20	3/4"-14	1" - 11	53,0	36	1,42	1.7/16"
ABT-16-12	1"	25	1" - 11	3/4"-14	53,0	41	1,61	1.5/8"
ABT-16-16	1"	25	1" - 11	1" - 11	57,0	41	1,61	1.5/8"



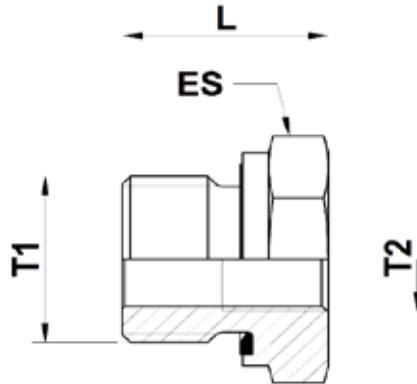
Male BSPP 60° Cone end / Swivel Female BSPP 60° Cone end

CODE	TUBE O.D.		THREAD		DIMENSION (mm)		ES			CH		
	[inch]	[mm]	T1	T2	L	B	[mm]	[in]	 [in]	[mm]	[in]	 [in]
GBBX-04-04	1/4"	6	1/4" - 19	1/4" - 19	29,5	5,2	19	0,75	3/4"	19	0,75	3/4"
GBBX-04-06	1/4"	6	1/4" - 19	3/8" - 19	33,0	6,0	19	0,75	3/4"	22	0,87	7/8"
GBBX-04-08	1/4"	6	1/4" - 19	1/2" - 14	34,5	6,5	22	0,87	7/8"	27	1,06	1.1/16"
GBBX-06-04	3/8"	10	3/8" - 19	1/4" - 19	33,0	5,2	22	0,87	7/8"	19	0,75	3/4"
GBBX-06-06	3/8"	10	3/8" - 19	3/8" - 19	34,0	6,0	22	0,87	7/8"	22	0,87	7/8"
GBBX-06-08	3/8"	10	3/8" - 19	1/2" - 14	36,0	6,5	22	0,87	7/8"	27	1,06	1.1/16"
GBBX-08-04	1/2"	12	1/2" - 14	1/4" - 19	34,5	5,2	27	1,06	1.1/16"	19	0,75	3/4"



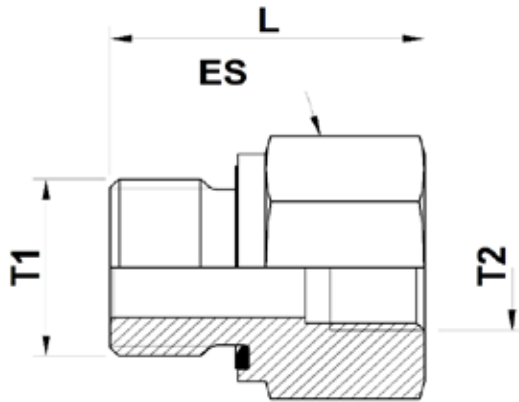
Swivel Female BSPP 60° Cone end / Male JIC 37° Flare end

CODE	TUBE O.D.		THREAD		DIMENSION (mm)		ES			CH		
	[inch]	[mm]	T1	T2	L	B	[mm]	[in]	[in]	[mm]	[in]	[in]
GBJ-06-06	3/8"	10	3/8" - 19	9/16" - 18	40,0	6,0	19	0,75	3/4"	22	0,87	7/8"
GBJ-08-06	3/8"	10	1/2" - 14	9/16" - 18	40,0	6,5	22	0,87	7/8"	27	1,06	1.1/16"
GBJ-08-08	1/2"	12	1/2" - 14	3/4" - 16	43,5	6,5	22	0,87	7/8"	27	1,06	1.1/16"
GBJ-08-12	3/4"	20	1/2" - 14	1.1/16" - 12	46,0	6,5	30	1,18	1.3/16"	27	1,06	1.1/16"
GBJ-12-08	1/2"	12	3/4" - 14	3/4" - 16	42,8	8,7	27	1,06	1.1/16"	32	1,26	1.1/4"
GBJ-12-12	3/4"	20	3/4" - 14	1.1/16" - 12	48,5	8,7	30	1,18	1.3/16"	32	1,26	1.1/4"
GBJ-12-16	1"	25	3/4" - 14	1.5/16" - 12	51,3	8,7	36	1,42	1.7/16"	32	1,26	1.1/4"
GBJ-16-16	1"	25	1" - 11	1.5/16" - 12	49,5	10,5	41	1,61	1.5/8"	41	1,61	1.5/8"



Reducer/expander - Male BSPP thread – ED-seal (ISO 1179-2) / Female BSPP thread - type A

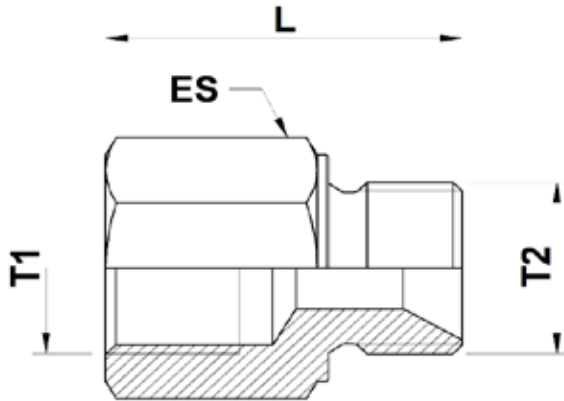
CODE	TUBE O.D.		THREAD		DIMENSION (mm)	ES		
	[inch]	[mm]	T1	T2	L	[mm]	[in]	[in]
DBBA-06-02	3/8"	10	3/8" - 19	1/8"-28	22,5	22	0,87	7/8"
DBBA-08-02	1/2"	12	1/2" - 14	1/8"-28	24	27	1,06	1.1/16"
DBBA-08-04	1/2"	12	1/2" - 14	1/4" - 19	24	27	1,06	1.1/16"
DBBA-12-04	3/4"	20	3/4" - 14	1/4" - 19	26,0	32	1,26	1.1/4"
DBBA-12-06	3/4"	20	3/4" - 14	3/8" - 19	26,0	32	1,26	1.1/4"
DBBA-16-04	1"	25	1" - 11	1/4" - 19	29,0	41	1,61	1.5/8"
DBBA-16-06	1"	25	1" - 11	3/8" - 19	29,0	41	1,61	1.5/8"



(*) Dimensions to be confirmed.

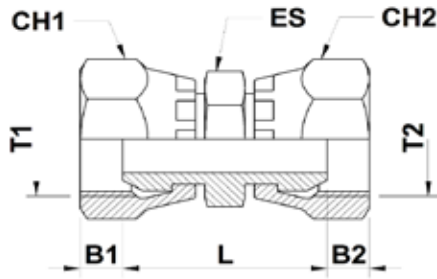
Reducer/expander - Male BSPP thread – ED-seal (ISO 1179-2) / Female BSPP thread - type B

CODE	TUBE O.D.		THREAD		DIMENSION (mm)	ES		
	[inch]	[mm]	T1	T2	L	[mm]	[in]	[in]
DBBB-04-02	1/4"	6	1/4" - 19	1/8" -28	28,0	19	0,75	3/4"
DBBB-04-06	1/4"	6	1/4" - 19	3/8" - 19	36,0	24	0,94	15/16"
DBBB-06-04	3/8"	10	3/8" - 19	1/4" - 19	36,0	22	0,87	7/8"
DBBB-08-16	1/2"	12	1/2" - 14	1" - 11	49,0	41	1,61	1.5/8"
DBBB-08-20	1/2"	12	1/2" - 14	1.1/4" - 11	53,0	55	2,16	2.3/16"



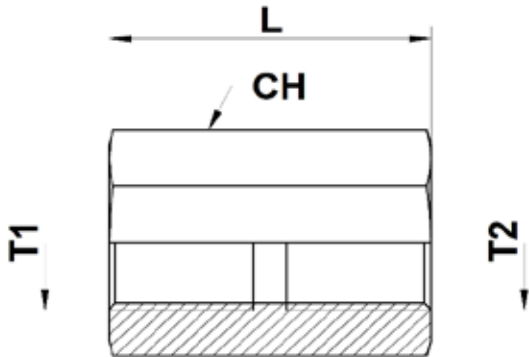
Reducer/expander - Male BSPP thread 60° Cone end / Fixed Female BSPP end

CODE	TUBE O.D.		THREAD		DIMENSION (mm)	ES		
	[inch]	[mm]	T1	T2	L	[mm]	[in]	[in]
DBBX-04-04	1/4"	6	1/4" - 19	1/4" - 19	30,0	19	0,75	3/4"
DBBX-04-06	1/4"	6	1/4" - 19	3/8" - 19	31,0	22	0,87	7/8"
DBBX-06-04	3/8"	10	3/8" - 19	1/4" - 19	31,0	22	0,87	7/8"
DBBX-06-06	3/8"	10	3/8" - 19	3/8" - 19	32,0	22	0,87	7/8"




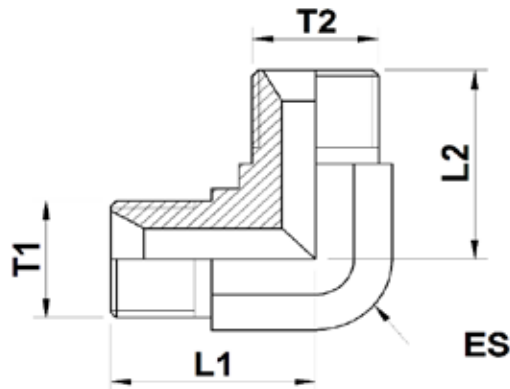
Union BSPP Female swivel nut

CODE	TUBE O.D.		THREAD		DIMENSION (mm)			ES			CH1			CH2		
	[inch]	[mm]	T1	T2	L	B1	B2	[mm]	[in]	[in]	[mm]	[in]	[in]	[mm]	[in]	[in]
FBBH-02-02	1/8"	3	1/8" - 28	1/8" - 28	24,5	5,0	5,0	12	0,47	1/2"	14	0,55	9/16"	14	0,55	9/16"
FBBH-04-04	1/4"	6	1/4" - 19	1/4" - 19	29,0	5,0	5,0	14	0,55	9/16"	19	0,75	3/4"	19	0,75	3/4"
FBBH-06-04	3/8"	10	3/8" - 19	1/4" - 19	31,5	6,0	5,0	17	0,67	11/16"	22	0,87	7/8"	19	0,75	3/4"
FBBH-06-06	3/8"	10	3/8" - 19	3/8" - 19	32,5	6,0	6,0	17	0,67	11/16"	22	0,87	7/8"	22	0,87	7/8"
FBBH-08-04	1/2"	12	1/2" - 14	1/4" - 19	33,5	6,5	5,0	22	0,87	7/8"	27	1,06	1.1/16"	19	0,75	3/4"
FBBH-08-06	1/2"	12	1/2" - 14	3/8" - 19	34,5	6,5	6,0	22	0,87	7/8"	27	1,06	1.1/16"	22	0,87	7/8"
FBBH-08-08	1/2"	12	1/2" - 14	1/2" - 14	38,0	6,5	6,5	22	0,87	7/8"	27	1,06	1.1/16"	27	1,06	1.1/16"
FBBH-12-08	3/4"	20	3/4" - 14	1/2" - 14	41,0	9,0	6,5	27	1,06	1.1/16"	32	1,26	1.1/4"	27	1,06	1.1/16"
FBBH-12-12	3/4"	20	3/4" - 14	3/4" - 14	43,5	9,0	9,0	27	1,06	1.1/16"	32	1,26	1.1/4"	32	1,26	1.1/4"
FBBH-16-16	1"	25	1" - 11	1" - 11	50,0	10,5	10,5	36	1,42	1.7/16"	41	1,61	1.5/8"	41	1,61	1.5/8"
FBBH-20-20	1.1/4"	28, 30, 32	1.1/4" - 11	1.1/4" - 11	55,0	10,5	10,5	41	1,61	1.5/8"	50	1,97	2"	50	1,97	2"
FBBH-24-24	1.1/2"	38	1.1/2" - 11	1.1/2" - 11	58,0	12,5	12,5	50	1,97	2"	55	2,16	2.3/16"	55	2,16	2.3/16"



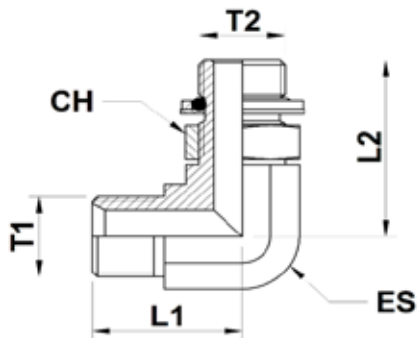
Test point connector - BSPP Fixed Female ends

CODE	THREAD		DIMENSION (mm)	CH		
	T1	T2	L	[mm]	[in]	 [in]
UBTB-02-02	1/8" - 28	1/8" - 28	20,0	14	0,55	9/16"
UBTB-04-04	1/4" - 19	1/4" - 19	25,0	19	0,75	3/4"
UBTB-06-06	3/8" - 19	3/8" - 19	27,0	22	0,87	7/8"
UBTB-12-12	3/4" - 14	3/4" - 14	40,0	32	1,26	1.1/4"
UBTB-16-16	1" - 11	1" - 11	45,0	41	1,61	1.5/8"



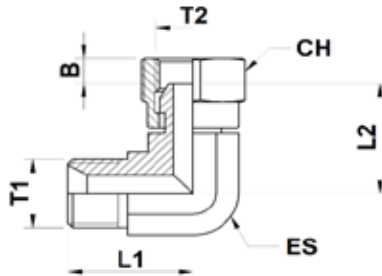
90° Union elbow - Male BSPP 60° cone ends

CODE	TUBE O.D.		THREAD		DIMENSION (mm)		ES		
	[inch]	[mm]	T1	T2	L1	L2	[mm]	[in]	[in]
LABB-04-04	1/4"	6	1/4" - 19	1/4" - 19	27,0	27,0	14	0,55	9/16"
LABB-06-06	3/8"	10	3/8" - 19	3/8" - 19	30,0	30,0	19		
LABB-08-08	1/2"	12	1/2" - 14	1/2" - 14	34,0	34,0	22	0,87	7/8"
LABB-12-12	3/4"	18, 20	3/4" - 14	3/4" - 14	42,0	42,0	27	1,06	1.1/16"
LABB-16-16	1"	25	1" - 11	1" - 11	47,0	47,0	36	1,42	1.7/16"
LABB-20-20	1.1/4"	28, 30, 32	1.1/4" - 11	1.1/4" - 11	52,0	52,0	46	1,81	1.13/16"
LABB-24-24	1.1/2"	35, 38	1.1/2" - 11	1.1/2" - 11	60,0	60,0	50	1,97	2"



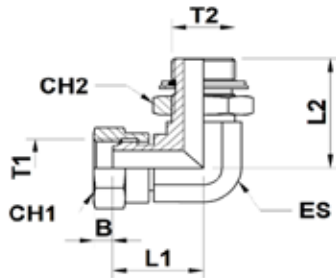
90° Union elbow - Male BSPP 60° cone end / Adjustable BSPP end O-ring + retaining ring (ISO 1179-3)

CODE	TUBE O.D.		THREAD		DIMENSION (mm)		ES			CH		
	[inch]	[mm]	T1	T2	L1	L2	[mm]	[in]	[in]	[mm]	[in]	[in]
LABBR-04-02	1/4"	6	1/4" - 19	1/8" - 28	27,0	28,0	14	0,55	9/16"	14	0,55	9/16"
LABBR-04-04	1/4"	6	1/4" - 19	1/4" - 19	27,0	31,5	14	0,55	9/16"	19	0,75	3/4"
LABBR-04-06	1/4"	6	1/4" - 19	3/8" - 19	27,0	37,0	19	0,75	3/4"	22	0,87	7/8"
LABBR-06-04	3/8"	10	3/8" - 19	1/4" - 19	29,0	35,0	19	0,75	3/4"	19	0,75	3/4"
LABBR-06-06	3/8"	10	3/8" - 19	3/8" - 19	29,0	37,0	19	0,75	3/4"	22	0,87	7/8"
LABBR-06-08	3/8"	10	3/8" - 19	1/2" - 14	32,0	43,0	22	0,87	7/8"	27	1,06	1.1/16"
LABBR-08-06	1/2"	12	1/2" - 14	3/8" - 19	34,0	40,0	22	0,87	7/8"	22	0,87	7/8"
LABBR-08-12	1/2"	12	1/2" - 14	3/4" - 14	37,0	50,0	27	1,06	1.1/16"	36	1,42	1.7/16"
LABBR-12-08	3/4"	18, 20	3/4" - 14	1/2" - 14	41,0	46,0	27	1,06	1.1/16"	27	1,06	1.1/16"
LABBR-12-12	3/4"	18, 20	3/4" - 14	3/4" - 14	41,0	50,0	27	1,06	1.1/16"	36	1,42	1.7/16"
LABBR-12-16	3/4"	18, 20	3/4" - 14	1" - 11	43,0	53,0	33	1,30	1.5/16"	41	1,61	1.5/8"
LABBR-16-12	1"	25	1" - 11	3/4" - 14	46,0	52,0	33	1,30	1.5/16"	36	1,42	1.7/16"
LABBR-16-16	1"	25	1" - 11	1" - 11	46,0	53,0	33	1,30	1.5/16"	41	1,61	1.5/8"
LABBR-20-20	1.1/4"	28, 30, 32	1.1/4" - 11	1.1/4" - 11	51,0	58,0	41	1,61	1.5/8"	50	1,97	2"
LABBR-24-20	1.1/2"	35, 38	1.1/2" - 11	1.1/4" - 11	59,0	59,0	48	1,89	1.7/8"	50	1,97	2"
LABBR-24-24	1.1/2"	35, 38	1.1/2" - 11	1.1/2" - 11	59,0	67,0	48	1,89	1.7/8"	55	2,16	2.3/16"



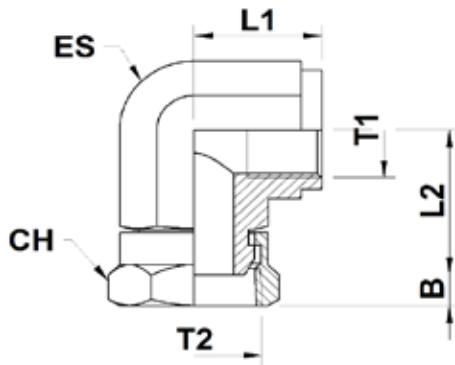
90° Swivel nut elbow - Male BSPP end / Swivel Female BSPP 60° Cone end

CODE	TUBE O.D.		THREAD		DIMENSION (mm)			ES			CH		
	[inch]	[mm]	T1	T2	L1	L2	B	[mm]	[in]	[in]	[mm]	[in]	[in]
LGBB-04-04	1/4"	6	1/4" - 19	1/4" - 19	27,0	23,8	5,0	14	0,55	9/16"	19	0,75	3/4"
LGBB-06-06	3/8"	10	3/8" - 19	3/8" - 19	29,0	28,2	6,0	19	0,75	3/4"	22	0,87	7/8"
LGBB-08-08	1/2"	12	1/2" - 14	1/2" - 14	35,0	33,6	6,5	22	0,87	7/8"	27	1,06	1.1/16"
LGBB-12-12	3/4"	18, 20	3/4" - 14	3/4" - 14	43,0	38,0	8,5	27	1,06	1.1/16"	32	1,26	1.1/4"
LGBB-16-16	1"	25	1" - 11	1" - 11	47,0	45,5	10,5	33	1,30	1.1/4"	41	1,61	1.5/8"
LGBB-20-20	1.1/4"	28, 30, 32	1.1/4" - 11	1.1/4" - 11	50,0	50,0	10,0	41	1,61	1.5/8"	50	1,97	2"



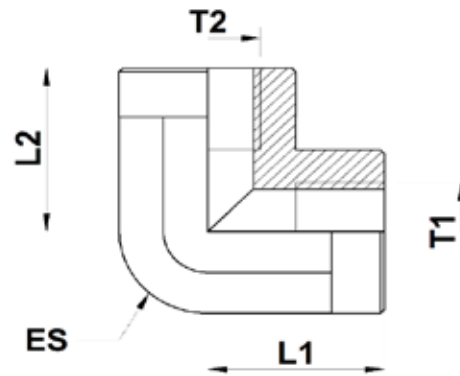
90° Swivel nut elbow - Swivel Female BSPP 60° Cone end / Adjustable BSPP end O-ring + retaining ring (ISO 1179-3)

CODE	TUBE O.D.		THREAD		DIMENSION (mm)			ES			CH1		
	[inch]	[mm]	T1	T2	L1	L2	B	[mm]	[in]	[in]	[mm]	[in]	[in]
LGBBR-04-04	1/4"	6	1/4" - 19	1/4" - 19	24,0	31,5	5,2	14,0	0,55	9/16"	19	0,75	3/4"
LGBBR-06-06	3/8"	10	3/8" - 19	3/8" - 19	26,0	37,0	6,0	19,0	0,75	3/4"	22	0,87	7/8"
LGBBR-08-08	1/2"	12	1/2" - 14	1/2" - 14	28,5	43,0	6,5	22	0,87	7/8"	27	1,06	1.1/16"
LGBBR-12-12	3/4"	18, 20	3/4" - 14	3/4" - 14	37,0	50,0	8,7	27	1,06	1.1/16"	32	1,26	1.1/4"
LGBBR-16-16	1"	25	1" - 11	1" - 11	42,0	53,0	10,5	33	1,30	1.1/4"	41	1,61	1.5/8"
LGBBR-20-20	1.1/4"	28, 30, 32	1.1/4" - 11	1.1/4" - 11	50,0	58,0	10,1	41	1,61	1.5/8"	50	1,97	2"




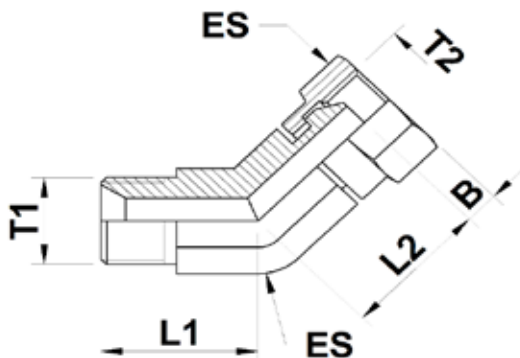
90° Union elbow - Fixed Female BSPP end / Swivel BSPP Female end

CODE	TUBE O.D.		THREAD		DIMENSION (mm)			ES		
	[inch]	[mm]	T1	T2	L1	L2	B	[mm]	[in]	[in]
LFBB-04-04	1/4"	6	1/4" - 19	1/4" - 19	27,0	23,8	5,2	19	0,75	3/4"
LFBB-06-06	3/8"	10	3/8" - 19	3/8" - 19	29,0	28,2	6,0	22	0,87	7/8"
LFBB-08-08	1/2"	12	1/2" - 14	1/2" - 14	35,0	33,6	6,5	27	1,06	1.1/16"
LFBB-12-12	3/4"	18, 20	3/4" - 14	3/4" - 14	43,0	38,0	8,7	33	1,30	1.1/4"
LFBB-16-16	1"	25	1" - 11	1" - 11	47,0	45,5	10,5	41	1,61	1.5/8"




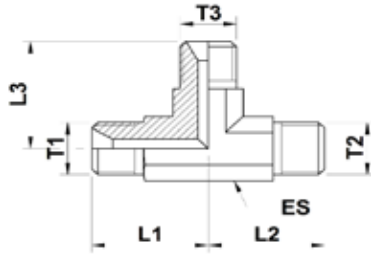
90° Union elbow - Fixed Female BSPP ends

CODE	TUBE O.D.		THREAD		DIMENSION (mm)		ES		
	[inch]	[mm]	T1	T2	L1	L2	[mm]	[in]	 [in]
LFBBA-02-02	1/8"	3	1/8" - 28	1/8" - 28	20,0	20,0	14	0,55	9/16"
LFBBA-04-04	1/4"	6	1/4" - 19	1/4" - 19	22,0	22,0	19	0,75	3/4"
LFBBA-06-06	3/8"	10	3/8" - 19	3/8" - 19	26,0	26,0	22	0,87	7/8"
LFBBA-08-08	1/2"	12	1/2" - 14	1/2" - 14	32,0	32,0	27	1,06	1.1/16"
LFBBA-12-12	3/4"	18, 20	3/4" - 14	3/4" - 14	36,0	36,0	33	1,30	1.1/4"
LFBBA-16-16	1"	25	1" - 11	1" - 11	42,0	42,0	41	1,61	1.5/8"



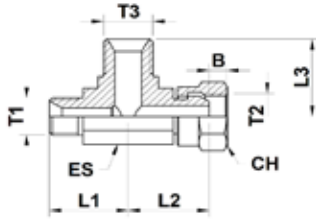
45° Swivel nut elbow - BSPP Male end / BSPP Female swivel end

CODE	TUBE O.D.		THREAD		DIMENSION (mm)			ES		
	[inch]	[mm]	T1	T2	L1	L2	B	[mm]	[in]	
VGBB-04-04	1/4"	6	1/4" - 18	1/4" - 18	21	28	5,2	14	0,55	9/16"
VGBB-06-06	3/8"	10	3/8" - 18	3/8" - 18	25	32	6	19	0,75	3/4"
VGBB-08-08	1/2"	12	1/2" - 14	1/2" - 14	28	33	6,5	22	0,87	7/8"





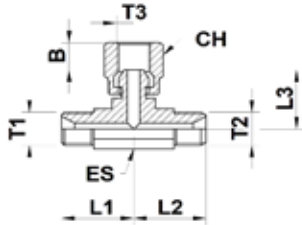
Union tee - BSPP male ends

CODE	TUBE O.D. T1		TUBE O.D. T2		TUBE O.D. T3		THREAD			DIMENSION (mm)			ES		
	[inch]	[mm]	[inch]	[mm]	[inch]	[mm]	T1	T2	T3	L1	L2	L3	[mm]	[in]	
T1B-04-04-04	1/4"	6	1/4"	6	1/4"	6	1/4" - 19	1/4" - 19	1/4" - 19	27,0	27,0	27,0	14	0,55	9/16"
T1B-06-06-04	3/8"	10	3/8"	10	1/4"	6	3/8" - 19	3/8" - 19	1/4" - 19	29,0	29,0	27,0	19	0,75	3/4"
T1B-06-06-06	3/8"	10	3/8"	10	3/8"	10	3/8" - 19	3/8" - 19	3/8" - 19	29,0	29,0	29,0	19	0,75	3/4"
T1B-08-08-08	1/2"	12	1/2"	12	1/2"	12	1/2" - 14	1/2" - 14	1/2" - 14	35,0	35,0	35,0	22	0,87	7/8"
T1B-10-10-10	5/8"	14, 15, 16	5/8"	14, 15, 16	5/8"	14, 15, 16	5/8" - 14	5/8" - 14	5/8" - 14	37,0	37,0	37,0	22	0,87	7/8"
T1B-12-12-12	3/4"	18, 20	3/4"	18, 20	3/4"	18, 20	3/4" - 14	3/4" - 14	3/4" - 14	41,0	41,0	41,0	27	1,06	1.1/16"
T1B-16-16-16	1"	25	1"	25	1"	25	1" - 11	1" - 11	1" - 11	46,0	46,0	46,0	33	1,30	1.5/16"
T1B-20-20-20	1.1/4"	28, 30, 32	1.1/4"	28, 30, 32	1.1/4"	28, 30, 32	1.1/4" - 11	1.1/4" - 11	1.1/4" - 11	51,0	51,0	51,0	41	1,61	1.5/8"
T1B-24-24-24	1.1/2"	35, 38	1.1/2"	35, 38	1.1/2"	35, 38	1.1/2" - 11	1.1/2" - 11	1.1/2" - 11	59,0	59,0	59,0	48	1,89	1.7/8"



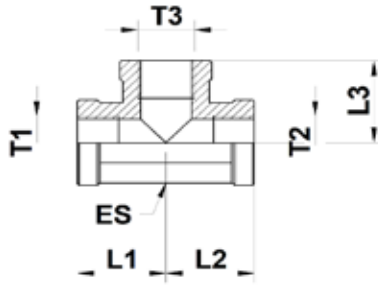
Swivel nut run tee - Male BSPP ends / Swivel Female BSPP 60° Cone end

CODE	TUBE O.D.		THREAD			DIMENSION (mm)				ES			CH		
	[inch]	[mm]	T1	T2	T3	L1	L2	L3	B	[mm]	[in]	 [in]	[mm]	[in]	 [in]
T4B-04-04-04	1/4"	6	1/4" - 19	1/4" - 19	1/4" - 19	27,0	23,8	27,0	5,0	14	0,55	9/16"	19	0,75	3/4"
T4B-06-06-04	3/8"	10	3/8" - 19	3/8" - 19	1/4" - 19	29,0	28,2	27,0	6	19	0,75	3/4"	22	0,87	7/8"
T4B-06-06-06	3/8"	10	3/8" - 19	3/8" - 19	3/8" - 19	29,0	28,2	29,0	6	19	0,75	3/4"	22	0,87	7/8"
T4B-08-08-08	1/2"	12	1/2" - 14	1/2" - 14	1/2" - 14	35,0	33,6	35,0	6,5	22	0,87	7/8"	27	1,06	1.1/16"
T4B-12-12-12	3/4"	18, 20	3/4" - 14	3/4" - 14	3/4" - 14	43,0	38	43,0	8,7	27	1,06	1.1/16"	32	1,26	1.1/4"
T4B-16-16-16	1"	25	1" - 11	1" - 11	1" - 11	47,0	45,5	47,0	10,5	36	1,42	1.7/16"	41	1,61	1.5/8"
T4B-20-20-20	1.1/4"	28, 30, 32	1.1/4" - 11	1.1/4" - 11	1.1/4" - 11	50,0	50	50,0	10,1	46	1,81	1.13/16"	50	1,97	2"
T4B-24-24-24	1.1/2"	35, 38	1.1/2" - 11	1.1/2" - 11	1.1/2" - 11	59,0	53,5	59,0	12,5	50	1,97	2"	55	2,16	2.3/16"


BSP**T5B**

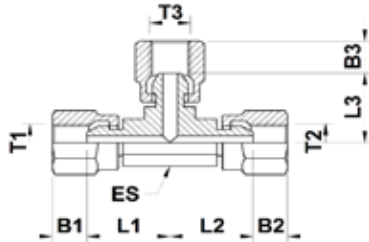
Swivel nut branch tee - Male BSPP ends / Swivel Female BSPP 60° Cone end

CODE	TUBE O.D.		THREAD			DIMENSION (mm)				ES			CH		
	[inch]	[mm]	T1	T2	T3	L1	L2	L3	B	[mm]	[in]		[mm]	[in]	
T5B-04-04-04	1/4"	6	1/4" - 19	1/4" - 19	1/4" - 19	27,0	27,0	23,8	5,0	14	0,55	9/16"	19	0,75	3/4"



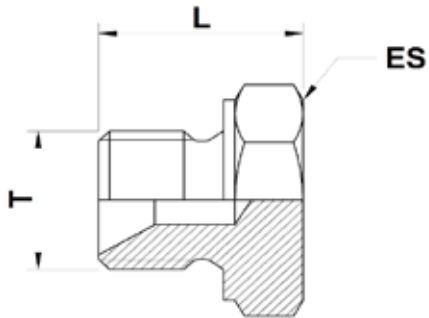
Union tee - Fixed Female BSPP ends

CODE	TUBE O.D.		THREAD			DIMENSION (mm)			ES		
	[inch]	[mm]	T1	T2	T3	L1	L2	L3	[mm]	[in]	
T6B-04-04-04	1/4"	6	1/4" - 19	1/4" - 19	1/4" - 19	22,0	22,0	22,0	19	0,75	3/4"
T6B-06-06-06	3/8"	10	3/8" - 19	3/8" - 19	3/8" - 19	26,0	26,0	26,0	22	0,87	7/8"
T6B-08-08-08	1/2"	12	1/2" - 14	1/2" - 14	1/2" - 14	32,0	32,0	32,0	27	1,06	1.1/16"
T6B-12-12-12	3/4"	18, 20	3/4" - 14	3/4" - 14	3/4" - 14	36,0	36,0	36,0	33	1,30	1.5/16"
T6B-16-16-16	1"	25	1" - 11	1" - 11	1" - 11	42,0	42,0	42,0	41	1,61	1.5/8"
T6B-20-20-20	1.1/4"	28, 30, 32	1.1/4" - 11	1.1/4" - 11	1.1/4" - 11	48,0	48,0	48,0	48	1,89	1.7/8"
T6B-24-24-24	1.1/2"	35,38	1.1/2" - 11	1.1/2" - 11	1.1/2" - 11	53,0	53,0	53,0	65	2,56	2.9/16"


BSP**T7B**

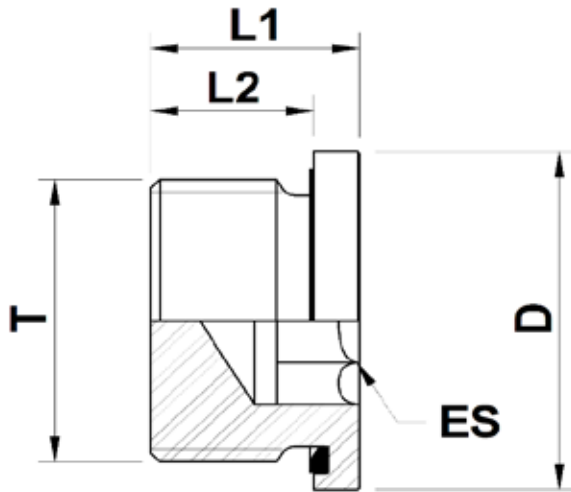
Union tee - Swivel Female BSPP ends

CODE	TUBE O.D.		THREAD			DIMENSION (mm)						ES			CH		
	[inch]	[mm]	T1	T2	T3	L1	L2	L3	B1	B2	B3	[mm]	[in]	[in]	[mm]	[in]	[in]
T7B-04-04-04	1/4"	6	1/4" - 19	1/4" - 19	1/4" - 19	24,5	24,5	24,5	5,2	5,2	5,2	14	0,55	9/16"	19	0,75	3/4"
T7B-06-06-06	3/8"	10	3/8" - 19	3/8" - 19	3/8" - 19	27,5	27,5	27,5	6,0	6,0	6,0	19	0,75	3/4"	22	0,87	7/8"
T7B-08-08-08	1/2"	12	1/2" - 14	1/2" - 14	1/2" - 14	31,5	31,5	31,5	6,5	6,5	6,5	22	0,87	7/8"	27	1,06	1.1/16"
T7B-12-12-12	3/4"	18, 20	3/4" - 14	3/4" - 14	3/4" - 14	41,5	41,5	41,5	8,7	8,7	8,7	27	1,06	1.1/16"	32	1,26	1.1/4"
T7B-16-16-16	1"	25	1" - 11	1" - 11	1" - 11	46,0	46,0	46,0	10,5	10,5	10,5	33	1,30	1.5/16"	41	1,61	1.5/8"
T7B-20-20-20	1.1/4"	28, 30, 32	1.1/4" - 11	1.1/4" - 11	1.1/4" - 11	51,0	51,0	51,0	10,1	10,1	10,1	41	1,61	1.5/8"	50	1,97	2"



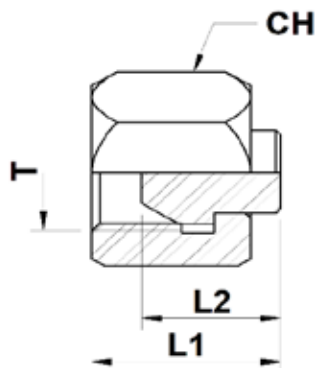
BSPP 60° Cone plug

CODE	THREAD	DIMENSION (mm)	ES		
	T	L	[mm]	[in]	 [in]
PAB-02	1/8" - 28	16,0	14	0,55	9/16"
PAB-04	1/4" - 19	18,0	19	0,75	3/4"
PAB-06	3/8" - 19	20,0	22	0,87	7/8"
PAB-08	1/2" - 14	24,0	27	1,06	1.1/16"
PAB-12	3/4" - 14	27,0	32	1,26	1.1/4"
PAB-16	1" - 11	32,0	41	1,61	1.5/8"
PAB-20	1.1/4" - 11	33,0	50	1,97	2"
PAB-32	1.1/4" - 11	45,0	70	2,76	2.3/4"



Hexagon socket plug - Male BSPP end – ED-seal (ISO 1179-2)

CODE	THREAD	DIMENSION (mm)			ES	
	T	L1	L2	D	[mm]	[in]
PBX-02	1/8" - 28	12,0	8,0	14,0	5	0,20
PBX-04	1/4" - 19	17,0	12,0	19,0	6	0,24
PBX-06	3/8" - 19	17,0	12,0	22,0	8	0,31
PBX-08	1/2" - 14	19,0	14,0	27,0	10	0,39
PBX-12	3/4" - 14	21,0	16,0	32,0	12	0,47
PBX-16	1" - 11	22,5	16,0	40,0	17	0,67
PBX-24	1.1/2" - 11	22,5	16,0	55,0	24	0,94
PBX-32	2" - 11	25,3	20,0	68,0	32	1,26

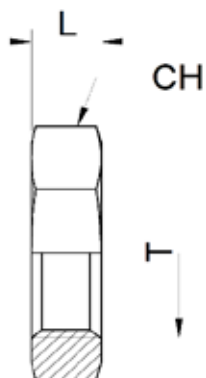


BSP 60° Cone Female swivel cap




2 or 4 points punched to avoid cap slip off)

CODE	TUBE O.D.		THREAD	DIMENSION (mm)		CH		
	[inch]	[mm]	T	L1	L2	[mm]	[in]	[in]
CBX-04	1/4"	6	1/4" - 19	19,0	14,0	19	0,75	3/4"
CBX-06	3/8"	10	3/8" - 19	21,0	14,8	22	0,87	7/8"
CBX-08	1/2"	12	1/2" - 14	24,0	17,0	27	1,06	1.1/16"
CBX-12	3/4"	18, 20	3/4" - 14	29,0	19,3	32	1,26	1.1/4"
CBX-16	1"	25	1" - 11	32,0	21,0	41	1,61	1.5/8"
CBX-20	1.1/4"	28, 30, 32	1.1/4" - 11	32,0	21,5	50	1,97	2"



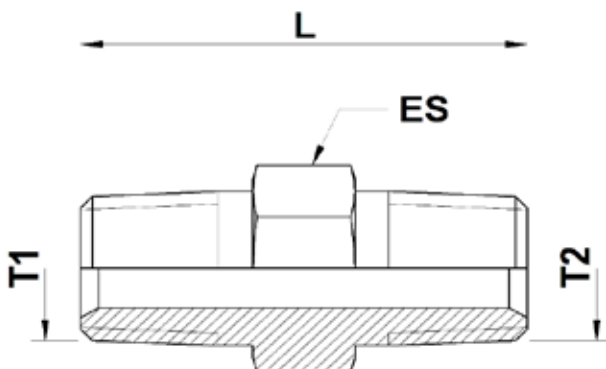
BSPP Locknut

CODE	THREAD	DIMENSION (mm)	CH		
	T	L	[mm]	[in]	 [in]
CBSP-0200	1/8" - 28	5,5	14	0,55	9/16"
CBSP-0400	1/4" - 19	6,5	19	0,75	3/4"
CBSP-0600	3/8" - 19	7,0	22	0,87	7/8"
CBSP-0800	1/2" - 14	8,0	27	1,06	1.1/16"
CBSP-1200	3/4" - 14	10,5	32	1,26	1.1/4"
CBSP-1600	1" - 11	10,5	41	1,61	1.5/8"




NPT

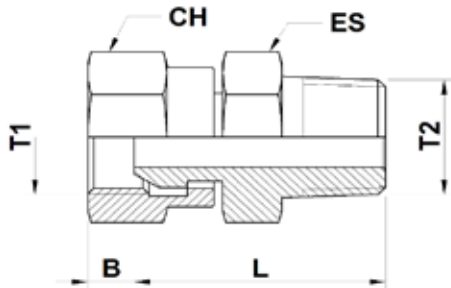
SERIES





(*) Dimensions to be confirmed.

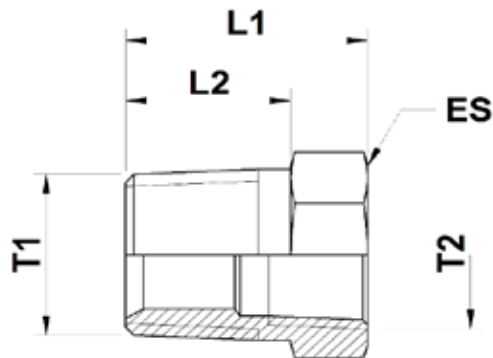
Union NPTF Male ends

CODE	TUBE O.D.		THREAD		DIMENSION (mm)	ES		
	[inch]	[mm]	T1	T2		[mm]	[in]	 [in]
ANN-02-02	1/8"	3	1/8" - 27	1/8" - 27	26,9	11,11	0,44	7/16"
ANN-04-02	1/4"	6	1/4" - 18	1/8" - 27	32,0	15,87	0,63	5/8"
ANN-04-04	1/4"	6	1/4" - 18	1/4" - 18	36,8	15,87	0,63	5/8"
ANN-06-04	3/8"	10	3/8" - 18	1/4" - 18	36,8	19,05	0,75	3/4"
ANN-06-06	3/8"	10	3/8" - 18	3/8" - 18	36,3	19,05	0,75	3/4"
ANN-08-04	1/2"	12	1/2" - 14	1/4" - 18	43,2	22,22	0,87	7/8"
ANN-08-06	1/2"	12	1/2" - 14	3/8" - 18	43,2	22,22	0,87	7/8"
ANN-12-06	3/4"	20	3/4" - 14	3/8" - 18	45,0	28,58	1,13	1.1/8"
ANN-12-08	3/4"	20	3/4" - 14	1/2" - 14	49,8	28,58	1,13	1.1/8"
ANN-12-12	3/4"	20	3/4" - 14	3/4" - 14	49,8	28,58	1,13	1.1/8"
ANN-16-08	1"	25	1" - 11.1/2	1/2" - 14	54,6	34,93	1,38	1.3/8"




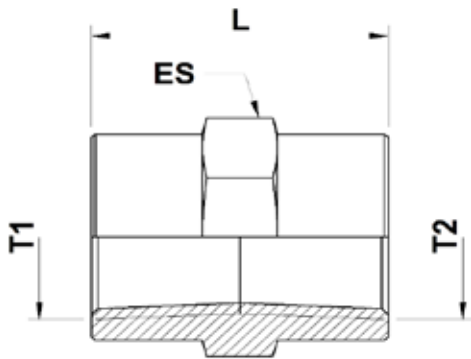
NPTF Female swivel end / Male NPTF end

CODE	TUBE O.D.		THREAD		DIMENSION (mm)		ES			CH		
	[inch]	[mm]	T1	T2	L	B	[mm]	[in]	 [in]	[mm]	[in]	 [in]
GNN-02-02	1/8"	3	1/8" - 27	1/8" - 27	25,5	3,0	14,27	0,56	9/16"	14,27	0,56	9/16"
GNN-04-02	1/4"	6	1/4" - 18	1/8" - 27	26,7	4,8	17,46	0,69	11/16"	17,46	0,69	11/16"
GNN-04-04	1/4"	6	1/4" - 18	1/4" - 18	31,2	4,8	17,46	0,69	11/16"	17,46	0,69	11/16"
GNN-04-06	1/4"	6	1/4" - 18	3/8" - 18	33,3	4,8	19,05	0,75	3/4"	17,46	0,69	11/16"
GNN-06-04	3/8"	10	3/8" - 18	1/4" - 18	33,3	5,3	20,63	0,81	13/16"	22,22	0,87	7/8"
GNN-06-06	3/8"	10	3/8" - 18	3/8" - 18	33,0	5,3	22,22	0,87	7/8"	22,22	0,87	7/8"
GNN-06-08	3/8"	10	3/8" - 18	1/2" - 14	39,6	5,3	22,22	0,87	7/8"	22,22	0,87	7/8"
GNN-08-08	1/2"	12	1/2" - 14	1/2" - 14	42,6	7,0	25,4	1,00	1"	25,4	1,00	1"
GNN-08-12	1/2"	12	1/2" - 14	3/4" - 14	44,8	7,0	31,75	1,25	1.1/4"	31,75	1,25	1.1/4"



Straight Connector - Male NPTF end / Female NPTF end

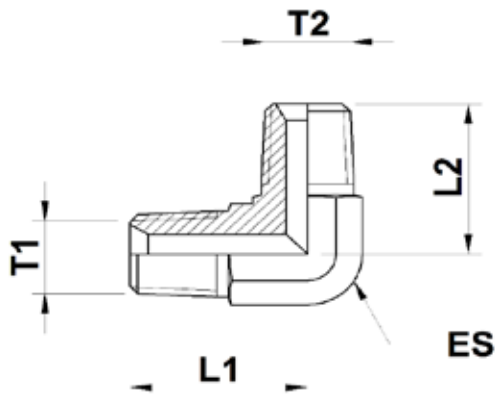
CODE	TUBE O.D.		THREAD		DIMENSION (mm)		ES		
	[inch]	[mm]	T1	T2	L1	L2	[mm]	[in]	 [in]
QNN-04-02	1/4"	6	1/4" - 18	1/8" - 27	21,6	14,2	15,88	0,63	5/8"
QNN-06-02	3/8"	10	3/8" - 18	1/8" - 27	21,6	14,2	19,05	0,75	3/4"
QNN-06-04	3/8"	10	3/8" - 18	1/4" - 18	21,6	14,2	19,05	0,75	3/4"
QNN-08-02	1/2"	12	1/2" - 14	1/8" - 27	27,9	19,1	22,22	0,88	7/8"



(*) Dimensions to be confirmed.

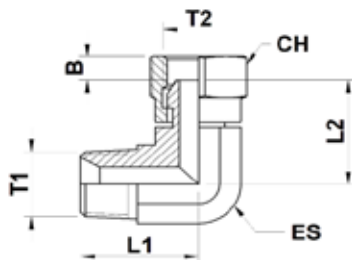
Union NPFT Fixed Female ends

CODE	TUBE O.D.		THREAD		DIMENSION (mm)	ES		
	[inch]	[mm]	T1	T2	L	[mm]	[in]	[in]
FNNA-02-02	1/8"	3	1/8" - 27	1/8" - 27	19,1	15,88	0,63	5/8"
FNNA-04-04	1/4"	6	1/4" - 18	1/4" - 18	28,7	19,05	0,75	3/4"
FNNA-06-04	3/8"	10	3/8" - 18	1/4" - 18	28,7	22,22	0,87	7/8"
FNNA-06-06	3/8"	10	3/8" - 18	3/8" - 18	28,7	22,22	0,87	7/8"
FNNA-08-08	1/2"	12	1/2" - 14	1/2" - 14	38,1	28,58	1,13	1.1/8"
FNNA-12-12	3/4"	20	3/4" - 14	3/4" - 14	38,9	34,93	1,38	1.3/8"





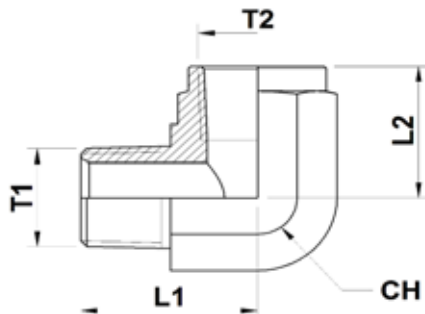
90° Union elbow - Male NPTF ends

CODE	TUBE O.D.		THREAD		DIMENSION (mm)		ES		
	[inch]	[mm]	T1	T2	L1	L2	[mm]	[in]	[in]
LANN-02-02	1/8"	3	1/8" - 27	1/8" - 27	19,8	19,8	11	0,43	7/16"
LANN-04-04	1/4"	6	1/4" - 18	1/4" - 18	27,7	27,7	14	0,55	9/16"
LANN-06-06	3/8"	10	3/8" - 18	3/8" - 18	31,0	31,0	19	0,75	3/4"
LANN-08-08	1/2"	12	1/2" - 14	1/2" - 14	37,3	37,3	22	0,87	7/8"
LANN-12-12	3/4"	18, 20	3/4" - 14	3/4" - 14	40,4	40,4	27	1,06	1.1/16"




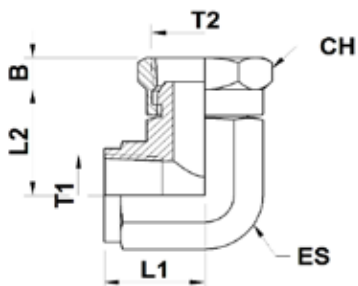
90° Swivel nut elbow - Male NPTF end / NPTF Female swivel end

CODE	TUBE O.D.		THREAD		DIMENSION (mm)			ES			CH		
	[inch]	[mm]	T1	T2	L1	L2	B	[mm]	[in]	 [in]	[mm]	[in]	 [in]
LGNN-02-02	1/8"	3	1/8" - 27	1/8" - 27	19,8	19,0	3,0	11	0,43	7/16"	14,28	0,56	9/16"
LGNN-04-04	1/4"	6	1/4" - 18	1/4" - 18	27,7	20,1	4,8	14	0,55	9/16"	17,46	0,69	11/16"
LGNN-04-06	1/4"	6	1/4" - 18	3/8" - 18	31,0	25,0	5,3	19	0,75	3/4"	22,22	0,87	7/8"
LGNN-06-06	3/8"	10	3/8" - 18	3/8" - 18	31,0	25,2	5,3	19	0,75	3/4"	22,22	0,87	7/8"
LGNN-06-08	3/8"	10	3/8" - 18	1/2" - 14	32,5	28,2	7,1	22	0,87	7/8"	25,40	1,00	1"
LGNN-08-06	1/2"	12	1/2" - 14	3/8" - 18	37,3	26,4	5,3	22	0,87	7/8"	22,22	0,87	7/8"
LGNN-08-08	1/2"	12	1/2" - 14	1/2" - 14	37,3	28,2	7,1	22	0,87	7/8"	25,40	1,00	1"
LGNN-16-12	1"	25	1" - 11,5	3/4" - 14	50,0	35,0	8,9	33	1,30	1.5/16"	31,75	1,25	1.1/4"
LGNN-16-16	1"	25	1" - 11,5	1" - 11,5	50,0	39,1	8,9	33	1,30	1.5/16"	38,1	1,50	1.1/2"
LGNN-20-20	1.1/4"	28, 30, 32	1.1/4" - 11,5	1.1/4" - 11,5	60,5	43,9	10,7	41	1,61	1.5/8"	47,63	1,88	1.7/8"





90° elbow - Male NPTF end / NPTF Female fixed end

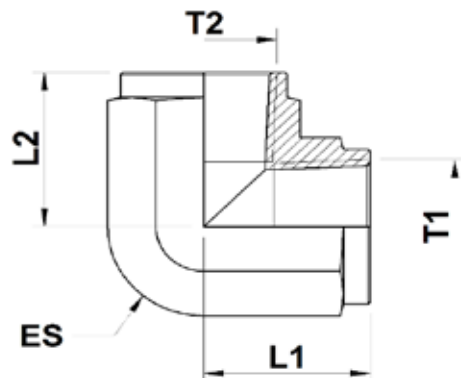
CODE	TUBE O.D.		THREAD		DIMENSION (mm)		ES		
	[inch]	[mm]	T1	T2	L1	L2	[mm]	[in]	 [in]
LGNNA-02-02	1/8"	3	1/8" - 27	1/8" - 27	19,8	16,8	14	0,55	9/16"
LGNNA-04-04	1/4"	6	1/4" - 18	1/4" - 18	27,7	22,4	19	0,75	3/4"
LGNNA-06-06	3/8"	10	3/8" - 18	3/8" - 18	31,0	25,9	22	0,87	7/8"
LGNNA-08-08	1/2"	12	1/2" - 14	1/2" - 14	37,3	31,2	27	1,06	1.1/16"
LGNNA-12-12	3/4"	18, 20	3/4" - 14	3/4" - 14	40,4	34,5	33	1,30	1.5/16"
LGNNA-16-16	1"	25	1" - 11,5	1" - 11,5	50,0	41,2	41	1,61	1.5/8"
LGNNA-20-20	1.1/4"	28, 30, 32	1.1/4" - 11,5	1.1/4" - 11,5	60,5	43,2	48	1,89	1.7/8"



(*) Dimensions to be confirmed.

90° Union elbow - Fixed Female NPTF end / Swivel NPTF Female end

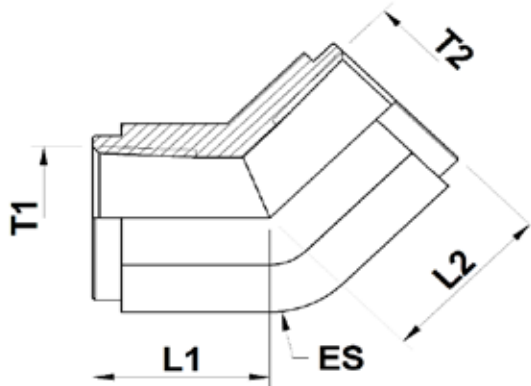
CODE	TUBE O.D.		THREAD		DIMENSION (mm)			ES			CH		
	[inch]	[mm]	T1	T2	L1	L2	B	[mm]	[in]		[mm]	[in]	
LFNN-04-04	1/4"	6	1/4" - 18	1/4" - 18	22,4	28,2	4,8	19	0,75	3/4"	17,46	0,69	11/16"
LFNN-06-06	3/8"	10	3/8" - 18	3/8" - 18	26,0	31,0	5,3	22	0,87	7/8"	22,22	0,87	7/8"
LFNN-08-08	1/2"	12	1/2" - 14	1/2" - 14	31,2	31,4	7,0	27	1,06	1.1/16"	25,4	1,00	1"
LFNN-12-12	3/4"	18, 20	3/4" - 14	3/4" - 14	34,5	46,2	8,9	33	1,30	1.5/16"	31,75	1,25	1.1/4"
LFNN-16-16	1"	25	1" - 11.1/2	1" - 11.1/2	41,2	51,0	8,9	41	1,61	1.5/8"	38,1	1,50	1.1/2"




(*) Dimensions to be confirmed.

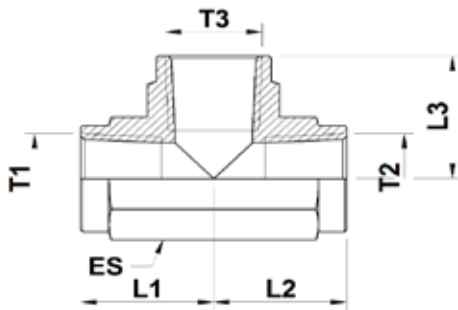
90° Union elbow - Fixed Female NPTF ends

CODE	TUBE O.D.		THREAD		DIMENSION (mm)		ES		
	[inch]	[mm]	T1	T2	L1	L2	[mm]	[in]	[in]
LFNNA-02-02	1/8"	3	1/8" - 27	1/8" - 27	16,8	16,8	14,0	0,55	9/16"
LFNNA-04-04	1/4"	6	1/4" - 18	1/4" - 18	22,4	22,4	19,0	0,75	3/4"
LFNNA-06-06	3/8"	10	3/8" - 18	3/8" - 18	26,0	26,0	22,2	0,87	7/8"
LFNNA-08-08	1/2"	12	1/2" - 14	1/2" - 14	31,2	31,2	27,0	1,06	1.1/16"
LFNNA-12-12	3/4"	18, 20	3/4" - 14	3/4" - 14	34,5	34,5	33,0	1,30	1.5/16"
LFNNA-16-16	1"	25	1" - 11.1/2	1" - 11.1/2	41,2	41,2	41,0	1,61	1.5/8"




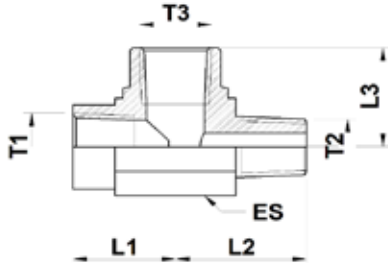
45° Union elbow - Fixed Female NPTF ends

CODE	TUBE O.D.		THREAD		DIMENSION (mm)		ES		
	[inch]	[mm]	T1	T2	L1	L2	[mm]	[in]	
VFNNA-04-04	1/4"	6	1/4" - 18	1/4" - 18	17,5	17,5	19	0,75	3/4"
VFNNA-06-06	3/8"	10	3/8" - 18	3/8" - 18	19,1	19,1	22	0,87	7/8"
VFNNA-08-08	1/2"	12	1/2" - 14	1/2" - 14	23,9	23,9	27	1,06	1.1/16"




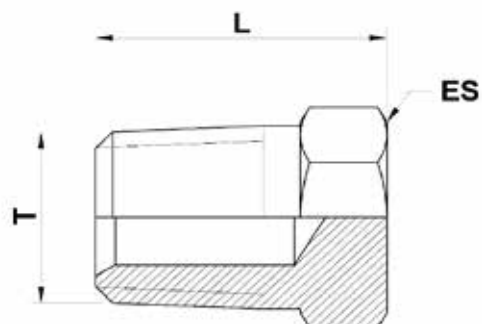
Union tee - Fixed Female NPTF ends

CODE	TUBE O.D.		THREAD			DIMENSION (mm)			ES		
	[inch]	[mm]	T1	T2	T3	L1	L2	L3	[mm]	[in]	
T6N-02-02-02	1/8"	3	1/8"-27	1/8"-27	1/8"-27	16,8	16,8	16,8	14	0,55	9/16"
T6N-04-04-04	1/4"	6	1/4" - 18	1/4" - 18	1/4" - 18	22,4	22,4	22,4	19	0,75	3/4"
T6N-06-06-06	3/8"	10	3/8" - 18	3/8" - 18	3/8" - 18	25,9	25,9	25,9	22	0,87	7/8"
T6N-08-08-08	1/2"	12	1/2" - 14	1/2" - 14	1/2" - 14	31,2	31,2	31,2	27	1,06	1.1/16"
T6N-12-12-12	3/4"	18, 20	3/4" - 14	3/4" - 14	3/4" - 14	34,5	34,5	34,5	33	1,30	1.5/16"
T6N-16-16-16	1"	25	1" - 11.1/2	1" - 11.1/2	1" - 11.1/2	41,2	41,2	41,2	41	1,61	1.5/8"
T6N-20-20-20	1.1/4"	28, 30, 32	1.1/4" - 11.1/2	1.1/4" - 11.1/2	1.1/4" - 11.1/2	43,2	43,2	43,2	48	1,89	1.7/8"




Male/Female Run tee - Fixed Female NPTF ends / Male NPTF end

CODE	TUBE O.D.		THREAD			DIMENSION (mm)			ES		
	[inch]	[mm]	T1	T2	T3	L1	L2	L3	[mm]	[in]	
T8N-02-02-02	1/8"	3	1/8"-27	1/8"-27	1/8"-27	16,8	19,8	16,8	14	0,55	9/16"
T8N-04-04-04	1/4"	6	1/4" - 18	1/4" - 18	1/4" - 18	22,4	27,7	22,4	19	0,75	3/4"
T8N-06-06-06	3/8"	10	3/8" - 18	3/8" - 18	3/8" - 18	25,9	31,0	25,9	22	0,87	7/8"
T8N-08-08-08	1/2"	12	1/2" - 14	1/2" - 14	1/2" - 14	31,2	37,3	31,2	27	1,06	1.1/16"
T8N-12-12-12	3/4"	18, 20	3/4" - 14	3/4" - 14	3/4" - 14	34,5	40,4	34,5	33	1,30	1.5/16"
T8N-16-16-16	1"	25	1" - 11.1/2	1" - 11.1/2	1" - 11.1/2	41,2	50,0	41,2	41	1,61	1.5/8"

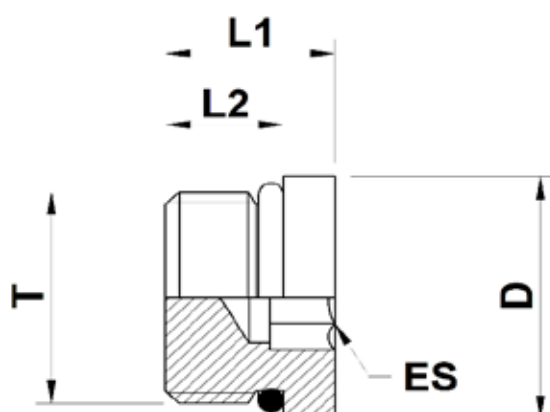


Male NPTF plug

CODE	THREAD	DIMENSION (mm)	ES		
	T	L	[mm]	[in]	 [in]
PAN-02	1/8" - 27	14,30	11,13	0,44	7/16"
PAN-04	1/4" - 18	18,8	14,27	0,56	9/16"
PAN-06	3/8" - 18	19,6	17,46	0,69	11/16"
PAN-08	1/2" - 14	24,4	22,22	0,87	7/8"
PAN-12	3/4" - 14	28,8	26,98	1,06	1.1/16"
PAN-16	1" - 11,5	34,6	33,34	1,31	1.5/16"
PAN-20	1.1/4" - 11,5	36,3	44,45	1,75	1.3/4"
PAN-32	2" - 11.1/2	43,50	63,50	2,50	2.1/2"


others

others PEX



(*) Dimensions to be confirmed.

Hexagon socket plug - Male UN/UNF end – O-ring (ISO 11926)

CODE	THREAD	DIMENSION (mm)			ES		
	T	L1	L2	D	[mm]	[in]	
PEX-04	7/16" - 20	11,9	9,1	14,3	4,78	0,19	3/16"
PEX-06	9/16" - 18	12,7	9,9	17,5	6,35	0,25	1/4"
PEX-08	3/4" - 16	14,7	11,1	22,2	7,95	0,31	5/16"
PEX-10	7/8" - 14	16,5	12,7	25,4	9,52	0,37	3/8"
PEX-16	1.5/16" - 12	19,6	15,1	38,1	15,88	0,63	5/8"

Intertraco (Italia) S.p.A.

Via Amaldi 1/A
I-46029 Suzzara
Mantova | Italy

T. +39 0376 539711
F. +39 0376 521722
info@intertraco.it

www.intertraco.it

